

# ★★★ TRISTAR

**AC-5474**  
**AC-5477**  
**AC-5527PR**  
**AC-5529**  
**AC-5531**



**EN | Instruction manual**

**NL | Gebruiksaanwijzing**

**FR | Mode d'emploi**

**DE | Bedienungsanleitung**

**ES | Manual de usuario**

**PT | Manual de utilizador**

**IT | Manuele utente**

**SV | Bruksanvisning**

**PL | Instrukcja obsługi**

**CS | Návod na použití**

**SK | Návod na použitie**

**HU | Használati utasítás**

**SL | Navodila za uporabo**

## **SAFETY INSTRUCTIONS**

- Please read this user's manual carefully to ensure proper use, maintenance and installation.
- The appliance is for indoor use only.
- Do not use the unit on a socket under repairs or not installed properly
- Do not use the unit, follow these precautions:
  - Near to source of fire.
  - An area where oil is likely to splash.
  - An area exposed to direct sunlight.
  - An area where water is likely to splash.
  - Near a bath, a laundry, a shower or a swimming pool.
- Never insert your fingers, rods into the air outlet. Take special care to warn children of these dangers.
- Keep the unit upward while transport and storage, for the compressor locates properly.
- Before cleaning the air-conditioner, always turn off or disconnect the power supply.
- When moving the air-conditioner, always turn off and disconnect the power supply, and move it slowly.
- To avoid the possibility of fire disaster, the air-conditioner shall not be covered.
- All the air-conditioner sockets must comply with the local electric safety requirements. If necessary, please check it for the requirements.
- Children should be supervised to ensure that they do not play with the appliance.
- If the supply cord is damaged, it must be replaced by the manufacturer, its service agent or similarly qualified persons in order to avoid a hazard.
- This appliance can be used by children aged from 8 years and above and persons with reduced physical, sensory or mental capabilities or lack of experience and knowledge if they have been given supervision or instruction concerning use of the appliance in a safe way and understand the hazards involved. Children shall not play with the appliance. Cleaning and user maintenance shall not be made by children without supervision.
- The appliance shall be installed in accordance with national wiring regulations.
- Notes:
  - If any parts damage, please contact the dealer or a designated repair shop;
  - In case of any damage, please turn off the air switch, disconnect the power supply, and contact the dealer or a designated repair shop;
  - In any case, the power cord shall be firmly grounded.
  - To avoid the possibility of danger, if power cord is damaged, please turn off the air switch and disconnect the power supply. It must be replaced from the dealer or a designated repair shop.

**WARNING**

- Do not use means to accelerate the defrosting process or to clean, other than those recommended by the manufacturer.
- The appliance shall be stored in a room without continuously operating ignition sources (for example: open flames , an operating gas appliance or an operating electric heater).
- Do not pierce or burn.
- Be aware that refrigerants may not contain an odor.
- Appliance shall be installed, operated and stored in a room with a floor area larger than X m<sup>2</sup>. (X=4 for 5000Btu/h, 7000Btu/h, 8000Btu/h; X=7.7 for 9000Btu/h, 10000Btu/h, 10500Btu/h)
- Contact authorized service technician for repair or maintenance of this unit.
- Do not pull , deform. or modify the power supply cord , or immerse it in water . Pulling or misuse of the power supply cord can result in damage to the unit and cause electrical shock.
- Compliance with national gas regulations shall be observed.
- Keep ventilation openings clear of obstruction.
- Any person who is involved with working on or breaking into a refrigerant circuit should hold a current valid certificate from an industry-accredited assessment authority, which authorizes their competence to handle refrigerants safely in accordance with an industry recognized

- assessment specification.
- Servicing shall only be performed as recommended by the equipment manufacturer. Maintenance and repair requiring the assistance of other skilled personnel shall be carried out under the supervision of the person competent in the use of flammable refrigerants.
- Do not operate or stop the unit by inserting or pulling out the power plug, it may cause electric shock or fire due to heat generation .
- Unplug the unit if strange sounds, smell, or smoke comes from it.



## **WARNING**

Specific information regarding appliances with R 290 refrigerant gas.

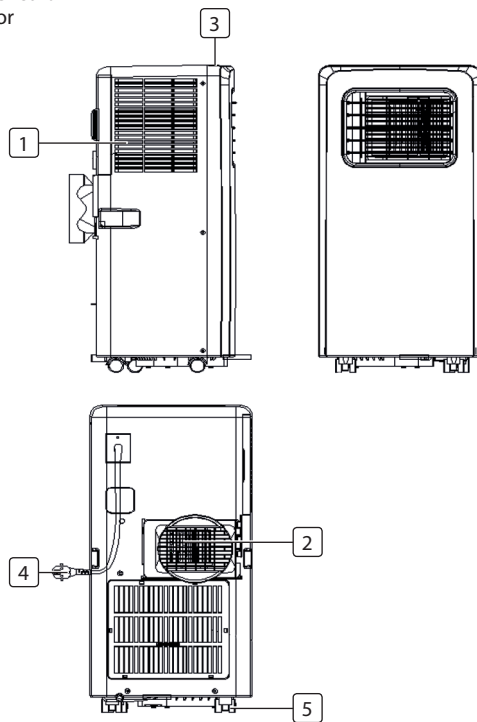
- Thoroughly read all of the warnings.
  - When defrosting and cleaning the appliance, do not use any tools other than those recommended by the manufacturing company.
  - The appliance must be placed in an area without any continuously sources of ignition (for example: open flames, gas or electrical appliances in operation).
  - Do not puncture and do not burn.
  - Appliance shall be installed, operated and stored in a room with a floor area larger than X m<sup>2</sup>. (X=4 for 5000Btu/h, 7000Btu/h, 8000Btu/h; X=7.7 for 9000Btu/h, 10000Btu/h, 10500Btu/h)
  - This appliance contains Y g (see rating label back of unit) of R290 refrigerant gas.
  - R290 is a refrigerant gas that complies with the European directives on the environment. Do not puncture any part of the refrigerant circuit.
  - If the appliance is installed, operated or stored in a nonventilated area, the room must be designed to prevent to the accumulation of refrigerant leaks resulting in a risk of fire or explosion due to ignition of the refrigerant caused by electric heaters, stoves, or other sources of ignition.
  - The appliance must be stored in such a way as to prevent mechanical failure.
- Individuals who operate or work on the refrigerant circuit must have the appropriate certification issued by an accredited organization that ensures competence in handling refrigerants according to a specific evaluation recognized by associations in the industry.
  - Repairs must be performed based on the recommendation from the manufacturing company. Maintenance and repairs that require the assistance of other qualified personnel must be performed under the supervision of an individual specified in the use of flammable refrigerants.






## **REFRIGERANT**

(CE) N 842/2006: This air conditioner contains the refrigerant R290. The amount of refrigerant is less than 1kg, and is in a closed cooling circuit. The coolant does have zero ozone depletion potential, but is a so-called greenhouse gases under the Kyoto Protocol and may thus contribute to global warming, if it is released to the atmosphere. Therefore only trained technicians with refrigerant certificate make a filling or emptying. Your air conditioner does not have be refilled with refrigerant if used properly and has an undamaged coolant circuit. GWP: R290: 3

**PARTS DESCRIPTION**

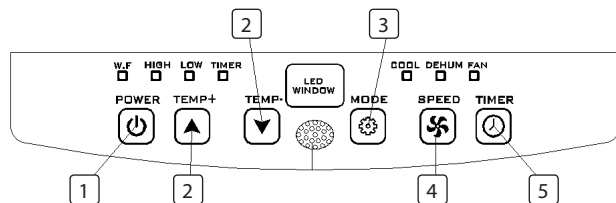
1. Air inlet
2. Air outlet
3. Control panel
4. Power cord
5. Castor

**ACCESSORIES**

Part	Description
	Hot-air exhaust hose
	Hose connector (window end)
	Hose connector (Air conditioner end)
	Window kit
	Remote controller

## FUNCTION OF CONTROL PANEL

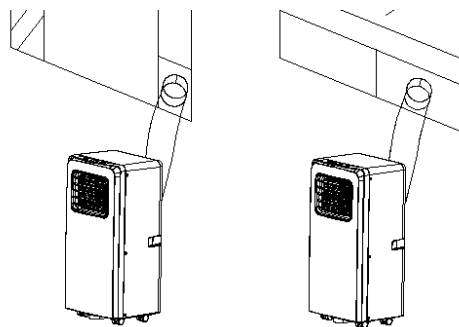
1. Power button
2. Temperature buttons
3. Mode button
4. Fan speed adjustment button
5. Timer on/off button



## BEFORE THE FIRST USE

### Before starting operations in this section:

- Find a place where there is power supply nearby.
- Install the exhaust hose, and adjust the window position well.



- Insert the power cord into an grounded AC220~240V/50Hz socket;
- Press the POWER button to turn on the air-conditioner.
- Operation temperature range: 18°C - 35°C
- Check whether the exhaust hose has been mounted properly.
- When using functions on cooling and dehumidifying, keep an interval of at least 3 minutes between each POWER.

## USE

### Cooling operation

- Press the "Mode" button till the "Cool" icon appears.
- Press the ▲ or ▼ button to select a desired room temperature. (16°C-31°C)
- Press the "Fan Speed" button to select wind speed.

### Dehumidifying operation

- Press the "Mode" button till the "Dehumidify Indicator Lamp" blinks
- Automatically set the selected temperature to current room temperature minus 2°C. (16°C-31°C)
- Automatically set the fan motor to LOW wind speed.

### Fan operation

- Press the "Mode" button till the "Fan" icon appears.
- Press the "Fan Speed" button to select wind speed.

### Timer operation

#### Timer ON setting

- When the air-conditioner is OFF, press the "Timer" button and select a desired ON time through the temperature and time setting buttons.
- "Preset ON Time" is displayed on the operation panel.
- ON time can be regulated at any time in 0-24 hours

#### Timer OFF setting

- When the air-conditioner ON, press "Timer" button and select a desired OFF time through the temperature and time setting buttons.
- "Preset OFF Time" is displayed on the operation panel.
- OFF time can be regulated at any time in 0-24 hours.

**Continuous Drainage**

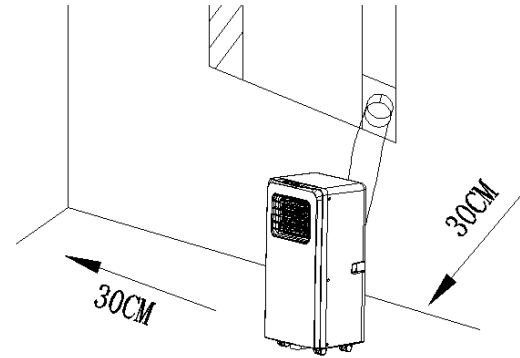
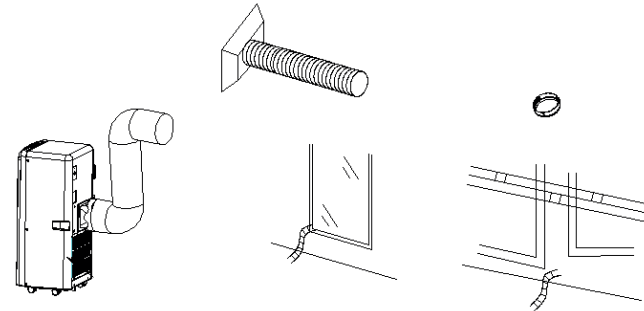
- When you plan to leave this unit unused for a long time, please remove the rubber blockage from the drainage hole at the bottom of unit, and connect a drain hose to the lower fixing clip. All the water in the water tank will drain outside.
- If water pump is damaged, continuous drainage can be used, and under this condition, the water pump is not activated. The unit can also work well.
- If water pump is damaged, intermittent drainage can also be used. Under this condition, when the water full indicator lamp lights up, please connect a drain hose to the lower fixing clip.

**Internal Tank Water Full Alarm Function**

The inner water tank in the air-conditioner has one water level safety switches, it controls water level. When water level reaches an anticipated height, the water full indicator lamp lights up. (If water pump is damaged, when the water is full, please remove the rubber blockage at the bottom of unit, and all water will drain outside.)

**INSTALLATION**

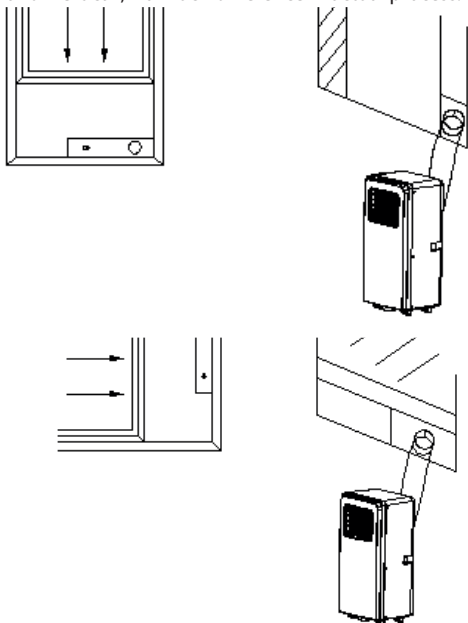
- A removal air-conditioner shall be installed in the flat and empty place all around. Don't block the air outlet, and the required distance around should be at least 30cm.
- Socket wiring should be in accordance with the local electric safety requirements.

**Exhaust Hose Installation**

- Twist both ends of the exhaust hose into the square fixing clip and the flat fixing clip.
- Insert the square fixing clip into openings at back of the air conditioner.
- Put the other end of the exhaust hose to the near windowsill.

#### Window Slider Kit Installation

- The installation manner of window slider kit is mostly in “horizontal” and “vertical”, No much difference in actual process.



## CLEANING MAINTENANCE

- Before cleaning, be sure to disconnect the unit from any electric supply outlet.
- First clean the surface with a neutral detergent and wet cloth, and then wipe it with a dry cloth.
- Do not use gasoline or other chemicals to clean the unit.
- Do not wash the unit directly.
- If the conditioner is damaged, please contact the dealer or repair shop.

#### Air Filter

- If the air filter becomes clogged with dust/dirt, the air filter should be cleaned once every two weeks.
- Open the air inlet grille and take off air filter.
- Clean the air filter with neutral detergent in lukewarm 40°C and dry it up in the shade.
- Putting the air filter into the inlet grille, replace the components as they were.

## TROUBLE SHOOTING

Troubles	Possible Causes	Suggested Remedies
The unit does not start when pressing power button	<ul style="list-style-type: none"> <li>• Water full indicator lamp blinks, and water tank is full.</li> <li>• Room temperature is higher than the setting temperature. (Electric heating mode)</li> <li>• Room temperature is lower than the setting temperature. (Cooling mode)</li> </ul>	<ul style="list-style-type: none"> <li>• Dump the water out of the water tank.</li> <li>• Reset the temperature</li> <li>• Reset the temperature</li> </ul>
The unit doesn't cool enough	<ul style="list-style-type: none"> <li>• The doors or windows are not closed.</li> <li>• There are heat sources inside the room.</li> <li>• Exhaust air hose is not connected or blocked.</li> <li>• Temperature setting is too high.</li> <li>• Air inlet is blocked.</li> </ul>	<ul style="list-style-type: none"> <li>• Make sure all the windows and doors are closed.</li> <li>• Remove the heat sources if possible</li> <li>• Connect or clean the exhaust air hose.</li> <li>• Reset the temperature</li> <li>• Clean the air inlet.</li> </ul>



Troubles	Possible Causes	Suggested Remedies
Auto Power-Off in heating mode	<ul style="list-style-type: none"> <li>Heating protection, when the temperature at the air outlet exceeds 70 °C, the unit will power off automatically.</li> </ul>	<ul style="list-style-type: none"> <li>Restart the unit at enough lower room temperature.</li> </ul>
Noisy	<ul style="list-style-type: none"> <li>The ground is not level or not flat enough</li> <li>The sound comes from the flowing of the refrigerant inside the air conditioner</li> </ul>	<ul style="list-style-type: none"> <li>Place the unit on a flat, level ground if possible</li> <li>It is normal.</li> </ul>
E0 Code	<ul style="list-style-type: none"> <li>Room temperature sensor failed</li> </ul>	<ul style="list-style-type: none"> <li>Replace room temperature sensor (the unit can also work without replacement.)</li> </ul>
E2 Code	<ul style="list-style-type: none"> <li>Water tank full</li> </ul>	<ul style="list-style-type: none"> <li>Please empty the water tank</li> </ul>

The product or equipment contains fluorinated greenhouse gas.

Art.nr. AC-5474  
Coolant: R290  
Quantity in kg: 0,10  
Global Warming Potential: 3

Art.nr. AC-5477  
Coolant: R290  
Quantity in kg: 0,14  
Global Warming Potential: 3

Art.nr. AC-5527PR  
Coolant: R290  
Quantity in kg: 0,14  
Global Warming Potential: 3

Art.nr. AC-5529  
Coolant: R290  
Quantity in kg: 0,16  
Global Warming Potential: 3

Art.nr. AC-5531  
Coolant: R290  
Quantity in kg: 0,16  
Global Warming Potential: 3

## GUARANTEE

- This product is guaranteed for 24 months granted. Your warranty is valid if the product is used in accordance to the instructions and for the purpose for which it was created. In addition, the original purchase (invoice, sales slip or receipt) is to be submitted with the date of purchase, the name of the retailer and the item number of the product.
- For the detailed warranty conditions, please refer to our service website: [www.tristar.eu](http://www.tristar.eu)

## ENVIRONMENT



This appliance should not be put into the domestic garbage at the end of its durability, but must be offered at a central point for the recycling of electric and electronic domestic appliances. This symbol on the appliance, instruction manual and packaging puts your attention to this important issue. The materials used in this appliance can be recycled. By recycling of used domestic appliances you contribute an important push to the protection of our environment. Ask your local authorities for information regarding the point of recollection.

## SUPPORT

You can find all available information and spare parts at <http://www.tristar.eu>

## VEILIGHEIDSINSTRUCTIES

- U wordt verzocht om de gebruiksaanwijzing zorgvuldig te lezen om het juiste gebruik, onderhoud en de juiste installatie te waarborgen.
- Het apparaat is uitsluitend geschikt voor binnenshuis gebruik.
- Gebruik de eenheid niet met een stopcontact dat in reparatie is of niet correct is geïnstalleerd
- Gebruik deze eenheid niet, volg deze voorzorgsmaatregelen:
  - In de nabijheid van een hittebron.
  - Een ruimte waar olie kan spetteren.
  - Een ruimte die aan direct zonlicht is bloot gesteld.
  - Een ruimte waar water kan spetteren.
  - In de buurt van een bad, een waterette, een douche of een zwembad.
- Steek uw vingers of andere voorwerpen nooit in de luchtuitlaat. Zorg ervoor dat kinderen speciaal voor dit gevaar worden gewaarschuwd.
- Houd het apparaat rechtop gedurende transport en opslag, om de compressor op de juiste plaats te houden.
- Schakel altijd de stroomtoevoer uit of trek de stekker uit het stopcontact voor het reinigen.
- Schakel altijd de stroomtoevoer uit of trek de stekker uit het stopcontact wanneer u de airconditioner verplaatst en verplaats deze langzaam.
- Om de kans op een brandramp te voorkomen, mag de airconditioner nooit worden bedekt.
- Alle stopcontacten van de airconditioner moeten aan de plaatselijke elektrische veiligheidsvoorschriften voldoen. Controleer hem op deze voorschriften indien nodig.
- Kinderen moeten onder toezicht staan om ervoor te zorgen dat ze niet met het apparaat spelen.
- Als het netsnoer beschadigd is, moet het worden vervangen door de fabrikant, zijn servicebedrijf of een gelijkwaardig gekwalificeerd person, om gevaar te voorkomen.
- Dit apparaat kan worden gebruikt door kinderen van 8 jaar en ouder en personen met verminderde lichamelijke, zintuiglijke of verstandelijke vermogens of gebrek aan ervaring en kennis als ze onder toezicht staan of geïnstrueerd zijn over het gebruik van het apparaat op een veilige manier en de betreffende risico's begrijpen. Kinderen mogen niet met het apparaat spelen. Het reinigen en gebruiksonderhoud mag niet zonder toezicht door kinderen worden uitgevoerd.
- Het apparaat moet worden geïnstalleerd in overeenstemming met de nationale bekabelingsvoorschriften.
- Opmerkingen:
  - Als er onderdelen beschadigd zijn, wordt u verzocht contact met de leverancier of een daartoe aangewezen reparatiebedrijf op te nemen;
  - In geval van schade, schakelt u de luchtschakelaar uit, onderbreekt de stroomtoevoer en neemt contact op met
  - De leverancier of een aangewezen reparatiebedrijf;
  - In elk geval moet het netsnoer goed geaard zijn.
  - Om de mogelijkheid van gevaar te voorkomen is, wordt u verzocht de luchtschakelaar uit te schakelen en de stekker uit het stopcontact te halen, indien het netsnoer beschadigd is. Dit moet door de leverancier of een aangewezen reparatiebedrijf vervangen worden.

## WAARSCHUWING

- Gebruik geen middelen die het ontdooiproces versnellen of reinigingsmiddelen, dan deze die door de fabrikant zijn aanbevolen.
- Berg het apparaat op in een ruimte zonder continu werkende ontstekingsbronnen (bijv. een open vlam, ingeschakeld gastoestel of een ingeschakeld elektrisch verwarmingstoestel).
- Niet doorboren of verbranden.
- Opgelet, bepaalde koelmiddelen bevatten geen geur.
- Installeer, gebruik en bewaar het apparaat in een ruimte met een vloeroppervlak van minstens X m<sup>2</sup>. (X=4 voor 5000Btu/u, 7000Btu/u, 8000Btu/u; X=7,7 voor 9000Btu/u, 10000Btu/u, 10500Btu/u)
- Neem contact op met een bekwame onderhoudstechnicus om dit apparaat te repareren of te onderhouden.
- Niet aan het snoer trekken, het vervormen of aanpassen, of het in water dompelen. Aan het snoer trekken of het verkeerd gebruiken kan schade aan het apparaat en een elektrische schok veroorzaken.
- Leef de nationale gasverordeningen altijd na.
- Houd de ventilatieopeningen vrij.
- Elke persoon die aan een koelcircuit werkt of deze aanpast, moet in het bezit zijn van een geldig certificaat van een bevoegde autoriteit, zodat deze persoon bevoegd is om koelmiddelen op een

- veilige manier te behandelen overeenkomstig de specificaties die in industrie van kracht zijn.
- Reparaties mogen alleen worden uitgevoerd zoals aanbevolen door de fabrikant van het apparaat. Onderhoud en reparatie die de hulp van ander opgeleid personeel vereisen, moeten worden uitgevoerd onder het toezicht van een persoon die weet hoe brandbare koelmiddelen te gebruiken.
- Start of stop het toestel niet door de stekker in het stopcontact te steken of eruit te trekken. Het kan een elektrische schok of brand veroorzaken als gevolg van de overmatige generatie van hitte.
- Haal de stekker uit het stopcontact als u een ongewoon geluid, geur of rook waarneemt.



## WAARSCHUWING

Specifieke informatie voor apparaten met R 290 koelgas.

- Lees alle waarschuwingen grondig door.
- Tijdens het ontdooien en reinigen van het apparaat, gebruik alleen gereedschap dat door de fabrikant is aanbevolen.
- Plaats het apparaat in een ruimte zonder continu werkende ontstekingsbronnen (bijv. een open vlam, ingeschakeld elektrisch of gastoestel).
- Niet doorboren of verbranden.
- Installeer, gebruik en bewaar het apparaat in een ruimte met een vloeroppervlak van minstens X m<sup>2</sup>. (X=4 voor 5000Btu/u, 7000Btu/u, 8000Btu/u; X=7,7 voor 9000Btu/u, 10000Btu/u, 10500Btu/u)
- Dit apparaat bevat Y g R290 koelgas (zie het typeplaatje aan de achterkant van het toestel).
- R290 is een koelgas dat in overeenstemming is met de Europese milieुरichtlijnen. Doorboor geen enkel deel van het koelcircuit.
- Als het apparaat wordt geïnstalleerd, bediend of bewaard in een ruimte zonder ventilatie, moet de ruimte aldus zijn ingericht dat de ophoping van koelmiddel door een lek wordt vermeden. Dit kan leiden tot brand- of explosiegevaar door het ontsteken van het koelmiddel door een elektrisch verwarmingstoestel, fornuis of andere ontstekingsbron.
- Bewaar het apparaat op een dergelijke wijze zodat

mechanische storing wordt vermeden.

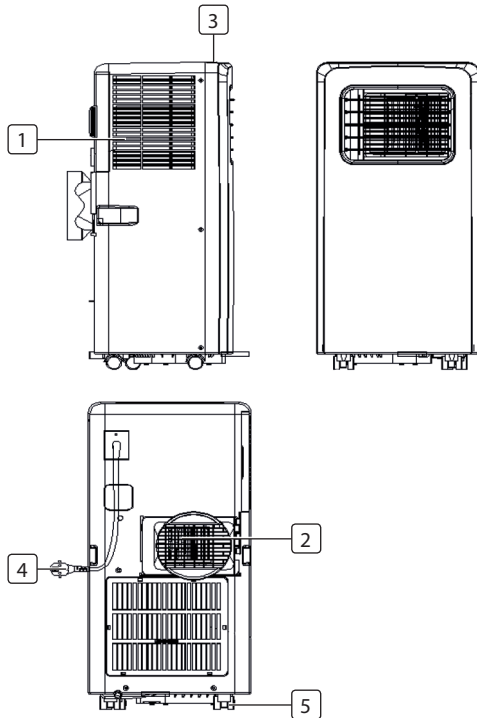
- Personen die het koelcircuit bedienen of er aan werken, moeten in het bezit zijn van een gepast certificaat van een bevoegde organisatie, zodat deze personen bevoegd zijn om koelmiddelen op een veilige manier te behandelen overeenkomstig de specificaties die in industrie van kracht zijn.
- Reparaties mogen alleen worden uitgevoerd zoals aanbevolen door de fabrikant van het apparaat. Onderhoud en reparatie die de hulp van ander opgeleid personeel vereisen, moeten worden uitgevoerd onder het toezicht van een persoon die weet hoe brandbare koelmiddelen te gebruiken.






## KOELMIDDEL

(CE) N 842/2006: Deze airconditioner bevat het koelmiddel R290. De hoeveelheid koelmiddel is minder dan 1 kg en bevindt zich in een gesloten koelcircuit. Het koelmiddel heeft geen ozonafbrekend vermogen. Het is echter een broeikasgas onder het Kyoto protocol en kan aldus bijdragen aan de globale opwarming van de aarde wanneer het in de atmosfeer vrijkomt. Alleen opgeleide technici met een gepast koelmiddelcertificaat mogen het toestel vullen of legen. Uw airconditioner dient bij een juist gebruik en een onbeschadigd koelmiddelcircuit niet te worden bijgevuld met koelmiddel. GWP: R290: 3.

**BESCHRIJVING VAN DE ONDERDELEN**

1. Luchttoevoer
2. Luchtuitlaat
3. Bedieningspaneel
4. Netsnoer
5. Kastoor

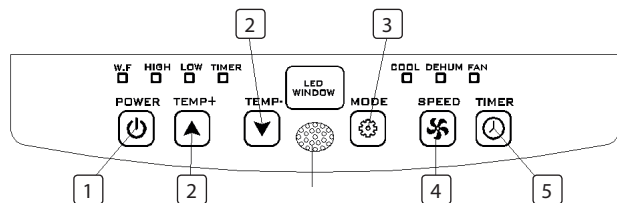
**ACCESSOIRES**

Onderdeel	Beschrijving
	Hotelucht afvoerslang
	Slangaansluiting (raamuiteinde)
	Slangaansluiting (Airconditioner uiteinde)
	Raamset
	Afstandsbediening

NL

## BEDIENEN VAN HET BEDIENINGSPANEEL

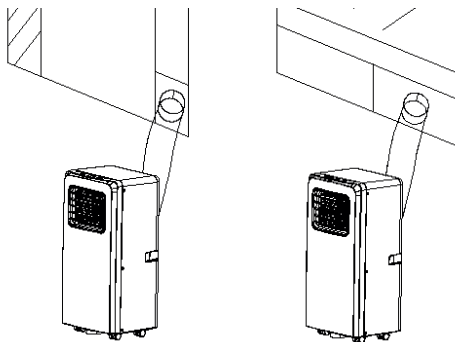
1. Power toets
2. Temperature toets
3. Mode toets
4. Fan speed regelingstoets
5. Timer aan/uit toets



## VÓÓR DE INGEBRIJKNAME

### Voordat u begint met de bediening in deze sectie:

- Zoek een plaats met een stopcontact in de buurt.
- Installeer de afvoerslang en stel de raampositie goed in.



- Plaats het netsnoer in een geaard AC220~240V/50Hz stopcontact;
- Druk op de POWER toets om de airconditioner aan te schakelen
- Bereik van werkingstemperatuur: 18°C - 35°C
- Controleer of de afvoerslang correct is gemonteerd.
- Bij gebruik van de functies voor koeling en ontvochtiging, houdt dan een interval van minstens 3 minuten aan tussen elke POWER.

## GEBRUIK

### Koelwerking

- Druk op de "Mode" toets totdat er een "Cool" pictogram verschijnt.
- Druk op de ▲ or ▼ toets om de gewenste kamertemperatuur te kiezen. (16°C-31°C)
- Druk op de "Fan Speed" toets om de windsnelheid in te stellen.

### Ontvochtigerswerking

- Druk op de "Mode" toets tot het "Ontvochtiging controlelampje" knippert
- Stel de gekozen temperatuur automatisch in op de actuele kamertemperatuur min 2°C. (16°C-31°C)
- Stel de ventilatormotor automatisch in op een LAGE windsnelheid.

### Ventilatorwerking

- Druk op de "Mode" toets totdat er een "Fan" pictogram verschijnt.
- Druk op de "Fan Speed" toets om de windsnelheid te kiezen.

### Werking van de timer

#### Timer AAN instelling

- Wanneer de airconditioner op UIT staat, drukt u op de "Timer" toets en kiest een gewenst AAN tijdstip via de toetsen voor de temperatuur- en tijdsinstelling.
- "Preset ON Time" wordt weergegeven op het bedieningspaneel.
- De AAN tijd kan op elk tijdstip tussen 0-24 uur geregeld worden.

**Timer OFF setting**

- Wanneer de airconditioner op AAN staat, drukt u op de "Timer" toets en kiest een gewenst UIT tijdstip via de toetsen voor de temperatuur- en tijdsinstelling.
- "Preset OFF Time" wordt weergegeven op het bedieningspaneel.
- De UIT tijd kan op elk tijdstip tussen 0-24 uur geregeld worden.

**Voortdurende drainage**

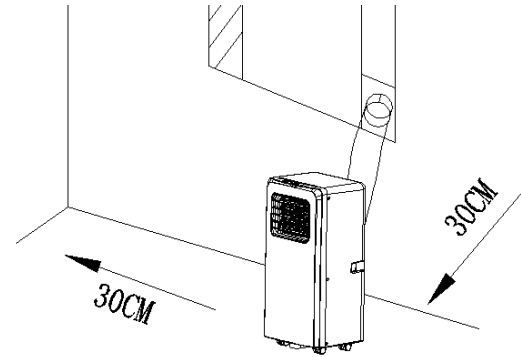
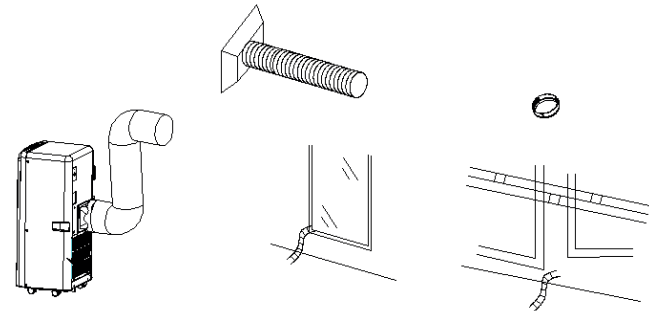
- Wanneer u van plan bent dit apparaat voor langere tijd niet te gebruiken, verwijder dan de rubberen stop van het afvoergat onderaan het apparaat en sluit een drainageslang aan op de onderste fixeclip.
- Al het water in het waterreservoir zal afgevoerd worden.
- Als de waterpomp is beschadigd, kan de voortdurende drainage worden gebruikt en in deze omstandigheden wordt de waterpomp niet geactiveerd. Het apparaat werkt gewoon goed.
- Als de waterpomp is beschadigd, kan de onderbroken drainage ook worden gebruikt. Onder deze omstandigheden, sluit dan een afvoerslang aan op de onderste fixeclip wanneer het controlelampje voor 'water vol' oplicht.

**Alarmfunctie voor als het interne waterreservoir vol is**

Het interne waterreservoir in de airconditioner heeft één veiligheidsschakelaar voor het waterniveau, dat het waterniveau controleert. Wanneer het water een geanticipeerde hoogte bereikt, licht het controlelampje 'water vol' op. (Als de waterpomp is beschadigd wanneer het water vol is, verwijder dan de rubberen stop van de onderkant van het apparaat en al het water zal worden afgevoerd.)

**INSTALLATIE**

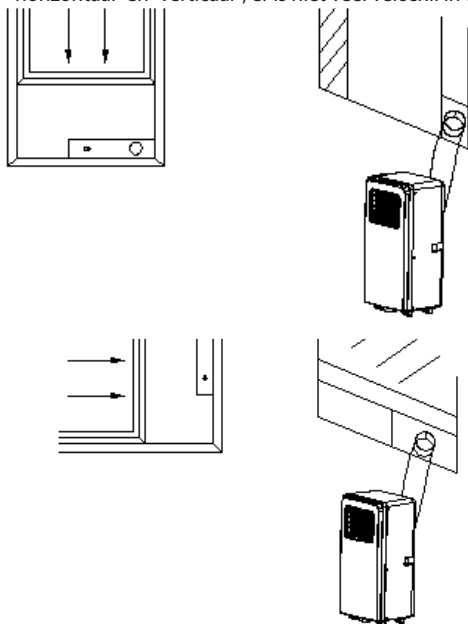
- Een verwijderbare airconditioner wordt op een vlakke en lege plaats met ruimte rondom geïnstalleerd. De luchtafvoer mag niet worden geblokkeerd en de benodigde afstand rondom moet minstens 30cm zijn.
- De bedrading van het stopcontact moet in overeenstemming zijn met de plaatselijke elektrische veiligheidsvoorschriften.

**Installatie van de afvoerslang**

- Draai beide uiteinden van de afvoerslang in de vierkante fixeerclip en de platte fixeerclip.
- Plaats de vierkante fixeerclip in de openingen aan de achterkant van de airconditioner.
- Plaats het andere uiteinde van de afvoerslang op de dichtstbijzijnde vensterbank.

#### Installatie van de schuifset voor het raam

- De manier om de schuifset voor het raam te installeren is meestal "horizontaal" en "verticaal"; er is niet veel verschil in de daadwerkelijke



## REINIGING ONDERHOUD

- Zorg er vóór het reinigen voor dat het apparaat uit het stopcontact is gehaald.
- Reinig het oppervlak eerst met een neutraal schoonmaakmiddel en natte doek en droog het dan af met een droge doek.
- Gebruik geen benzine of andere chemicaliën om het apparaat schoon te maken.
- Was het apparaat niet direct.
- Als de conditioner is beschadigd, neem dan contact op met de leverancier of het reparatiebedrijf.

#### Luchtfilter

- Als het luchtfilter verstopt raakt met stof/vuil, moet het luchtfilter eenmaal per twee weken worden gereinigd.
- Open het luchttoevoerrooster en verwijder het luchtfilter.
- Reinig het luchtfilter met een neutraal schoonmaakmiddel in lauwwater (40°C) en laat het in de schaduw drogen.
- Nadat het luchtfilter in het toevoerrooster is geplaatst, herplaatst u de onderdelen zoals ze waren.

## PROBLEEMOPLOSSEN

Probleem	Mogelijke oorzaken	Mogelijke oplossingen
Het apparaat start niet wanneer de aan-toets wordt ingedrukt	<ul style="list-style-type: none"> <li>• Controlelampje 'water vol' knippert en het waterreservoir zit vol.</li> <li>• Kamertemperatuur is hoger dan de ingestelde temperatuur. (Elektrische verwarmingsmodus)</li> <li>• Kamertemperatuur is lager dan de ingestelde temperatuur. (Koelingsmodus)</li> </ul>	<ul style="list-style-type: none"> <li>• Leeg het water uit het waterreservoir.</li> <li>• Stel de temperatuur opnieuw in</li> <li>• Stel de temperatuur opnieuw in</li> </ul>
Het apparaat koelt niet genoeg	<ul style="list-style-type: none"> <li>• De deuren en ramen zijn niet dicht.</li> <li>• Er zijn warmtebronnen in de kamer.</li> <li>• De luchtuitlaatslang is niet aangesloten of geblokkeerd.</li> <li>• De temperatuurstelling is te hoog.</li> <li>• Luchttoevoer is geblokkeerd.</li> </ul>	<ul style="list-style-type: none"> <li>• Zorg ervoor dat alle ramen en deuren zijn gesloten.</li> <li>• Verwijder de warmtebronnen, indien mogelijk.</li> <li>• Sluit de luchtuitlaatslang aan of reinig deze</li> <li>• Stel de temperatuur opnieuw in.</li> <li>• Reinig de luchttoevoer.</li> </ul>



Probleem	Mogelijke oorzaken	Mogelijke oplossingen
Auto uitschakelen in verwarmings-stand	<ul style="list-style-type: none"> <li>Verhittingsbescherming, wanneer de temperatuur bij de luchtuitlaat hoger wordt dan 70°, zal het apparaat automatisch uitgeschakeld worden.</li> </ul>	<ul style="list-style-type: none"> <li>Start het apparaat opnieuw met een voldoende lagere kamertemperatuur.</li> </ul>
Lawaai	<ul style="list-style-type: none"> <li>De vloer is niet effen of niet vlak genoeg</li> <li>Het geluid komt van de stroming van de koelvloeistof in de airconditioner</li> </ul>	<ul style="list-style-type: none"> <li>Plaats het apparaat op een vlak, effen oppervlak, indien mogelijk</li> <li>Dit is normaal.</li> </ul>
E0 Code	<ul style="list-style-type: none"> <li>Defect van de sensor voor de kamertemperatuur</li> </ul>	<ul style="list-style-type: none"> <li>Vervang de sensor voor de kamertemperatuur (het apparaat werkt ook zonder vervanging.)</li> </ul>
E2 Code	<ul style="list-style-type: none"> <li>Waterreservoir vol</li> </ul>	<ul style="list-style-type: none"> <li>Leeg het waterreservoir.</li> </ul>

Het product of de apparatuur bevat gefluoriseerde broeikasgassen.

Art.nr. AC-5474  
 Koelvloeistof: R290  
 Hoeveelheid in kg: 0,10  
 Potentieel Global Warning: 3

Art.nr. AC-5477  
 Koelvloeistof: R290  
 Hoeveelheid in kg: 0,14  
 Potentieel Global Warning: 3

Art.nr. AC-5527PR  
 Koelvloeistof: R290  
 Hoeveelheid in kg: 0,14  
 Potentieel Global Warning: 3

Art.nr. AC-5529  
 Koelvloeistof: R290  
 Hoeveelheid in kg: 0,16  
 Potentieel Global Warning: 3

Art.nr. AC-5531  
 Koelvloeistof: R290  
 Hoeveelheid in kg: 0,16  
 Potentieel Global Warning: 3

## GARANTIE

- Dit product heeft een garantie van 24 maanden. Uw garantiebewijs is geldig als het product in overeenstemming met de instructies wordt gebruikt en voor het doel waarvoor het was gemaakt. Daarnaast moet het oorspronkelijke aankoopbewijs (factuur, kassabon of kwitantie) met de datum van aankoop, de naam van de retailer en het artikelnummer van het product worden ingediend.
- Bezoek onze service website voor de gedetailleerde garantievoorwaarden: [www.tristar.eu](http://www.tristar.eu)

## MILIEU



■ Dit apparaat mag aan het eind van zijn duurzaamheid niet bij het normale huisafval worden gezet, maar moet bij een centraal punt voor de recycling van elektrische en elektronische huishoudelijke apparaten worden aangeboden. Dit symbool op het apparaat, de handleiding en de verpakking richt uw aandacht op deze belangrijke kwestie. De gebruikte materialen in dit apparaat kunnen gerecycled worden. Door het recyclen van gebruikte huishoudelijke apparaten draagt u bij aan een belangrijke stap in de richting van de bescherming van ons milieu. Vraag uw lokale overheid voor informatie over het inzamelpunt.

## ONDERSTEUNING

U kunt alle beschikbare informatie en onderdelen vinden op <http://www.tristar.eu>

## CONSIGNES DE SÉCURITÉ

- Veuillez lire attentivement ce manuel d'utilisateur pour assurer une utilisation, un entretien et une installation appropriés.
- L'appareil est uniquement destiné à une utilisation intérieure.
- Ne pas utiliser l'appareil avec une prise en cours de réparation ou mal installée.
- Ne pas utiliser l'appareil, respectez ces consignes :
  - A proximité d'un lieu d'incendie.
  - Un lieu susceptible aux éclaboussures d'huile.
  - Un lieu exposé au plein soleil.
  - Un lieu susceptible aux éclaboussures d'eau.
  - A proximité d'une baignoire, d'une douche ou d'une piscine.
- Ne jamais introduire les doigts ou des tiges dans la sortie d'air. Prendre bien soin de prévenir les enfants de ces dangers.
- Maintenir l'appareil debout pendant le transport et le stockage, pour que le compresseur reste correctement en place..
- Avant de nettoyer le climatiseur, veuillez toujours l'éteindre ou débrancher l'alimentation.
- Lors du déplacement du climatiseur, veuillez toujours l'éteindre ou débrancher l'alimentation et le déplacer lentement.
- Pour éviter un éventuel incendie, le climatiseur ne doit pas être couvert.
- Toutes les prises du climatiseur doivent être conformes aux normes locales de sécurité électrique. Veuillez si nécessaire, vérifier les normes.
- Les enfants doivent être surveillés pour veiller à ce qu'ils ne jouent pas avec l'appareil.
- Si le cordon d'alimentation est défectueux, il doit être remplacé par le fabricant, son service après-vente ou toute personne de qualification similaire afin d'éviter un danger.
- Cet appareil peut être utilisé par des enfants à partir de l'âge de 8 ans et des personnes dont les capacités physiques, sensorielles ou mentales sont réduites ou sans expérience et connaissance si elles en ont la surveillance ou l'instruction concernant l'utilisation sécurisée de l'appareil et comprennent les risques possibles. Les enfants ne doivent pas jouer avec l'appareil. Le nettoyage et l'entretien régulier ne doivent pas être effectués par des enfants sans surveillance.
- L'appareil devra être installé conformément aux réglementations électriques nationales.
- Remarques :
  - Si une pièce est endommagée, contacter le revendeur ou un atelier de réparation agréé ;
  - En cas de dégâts éventuels, veuillez éteindre le commutateur d'air, débrancher l'alimentation et contacter
  - Le revendeur ou un atelier de réparation agréé ;
  - Dans tous les cas, le cordon d'alimentation doit être bien relié à la terre.
  - Pour éviter un risque éventuel, en cas de cordon défectueux, veuillez éteindre le commutateur d'air et débrancher l'alimentation. Il doit être remplacé par le revendeur ou un atelier de réparation agréé.

**MISE EN GARDE**

- N'utilisez pas des moyens autres que ceux recommandés par le fabricant pour nettoyer ou accélérer le dégivrage.
- L'appareil doit être rangé dans une pièce dépourvue de sources d'allumage en fonctionnement continu (par exemple : flammes nues, un appareil à gaz ou un radiateur électrique allumé).
- Ne percez pas ou ne brûlez pas.
- Sachez que les réfrigérants ne contiennent aucune odeur.
- L'appareil doit être installé, utilisé et rangé dans une pièce d'une surface au sol supérieure à X m<sup>2</sup>. (X=4 pour 5 000 Btu/h, 7 000 Btu/h, 8 000 Btu/h ; X=7.7 pour 9 000 Btu/h, 10 000 Btu/h, 10 500 Btu/h)
- Contactez un technicien autorisé pour réparer ou entretenir cet appareil.
- Ne tirez pas, ne déformez pas ou ne modifiez pas le cordon d'alimentation, ou ne le plongez pas dans l'eau. Tirer ou utiliser le cordon d'alimentation de façon incorrecte peut endommager l'appareil et entraîner un choc électrique.
- Les réglementations nationales liées au gaz doivent être respectées.
- Gardez les ouvertures de ventilation libres de toute obstruction.
- Toute personne travaillant ou intervenant sur un circuit de réfrigérant doit détenir une attestation

- valide à jour, délivrée par une autorité d'évaluation accréditée du secteur industriel, qui l'autorise à manipuler les réfrigérants en toute sécurité selon la spécification d'évaluation reconnue dans l'industrie.
- L'entretien doit uniquement être effectué comme le recommande le fabricant de l'équipement. La maintenance et les réparations nécessitant l'aide d'un personnel qualifié doivent être réalisées sous la supervision de la personne compétente en matière d'utilisation de réfrigérants inflammables.
- N'utilisez pas ou n'arrêtez pas l'appareil en insérant ou en retirant la fiche électrique, ce qui peut entraîner un choc électrique ou un incendie à cause du dégagement de chaleur.
- Débranchez l'appareil s'il dégage de la fumée et une odeur, ou s'il émet des bruits étranges.

FR



## MISE EN GARDE

Informations spécifiques sur les appareils à gaz réfrigérant R 290.

- Lisez attentivement toutes les mises en garde.
- Au moment de dégivrer et de nettoyer l'appareil, n'utilisez pas d'autres outils que ceux recommandés par l'entreprise de fabrication.
- L'appareil doit être placé dans un endroit dépourvu de sources d'allumage en fonctionnement continu (par exemple : flammes nues, appareils électriques ou à gaz allumés).
- Ne percez pas ou ne brûlez pas.
- L'appareil doit être installé, utilisé et rangé dans une pièce d'une surface au sol supérieure à  $X \text{ m}^2$ . ( $X=4$  pour 5 000 Btu/h, 7 000 Btu/h, 8 000 Btu/h ;  $X=7.7$  pour 9 000 Btu/h, 10 000 Btu/h, 10 500 Btu/h)
- Cet appareil contient Y gr. (voir la plaque signalétique à l'arrière de l'appareil) de gaz réfrigérant R290.
- R290 est un gaz réfrigérant qui répond aux directives européennes sur l'environnement. Ne percez aucune partie du circuit de réfrigérant.
- Si l'appareil est installé, utilisé ou rangé dans un endroit non ventilé, la pièce doit être conçue pour empêcher l'accumulation de fuites de réfrigérant, pouvant entraîner un risque d'incendie ou d'explosion lié à l'allumage du réfrigérant causé par des radiateurs électriques, cuisinières, ou autre source d'allumage.

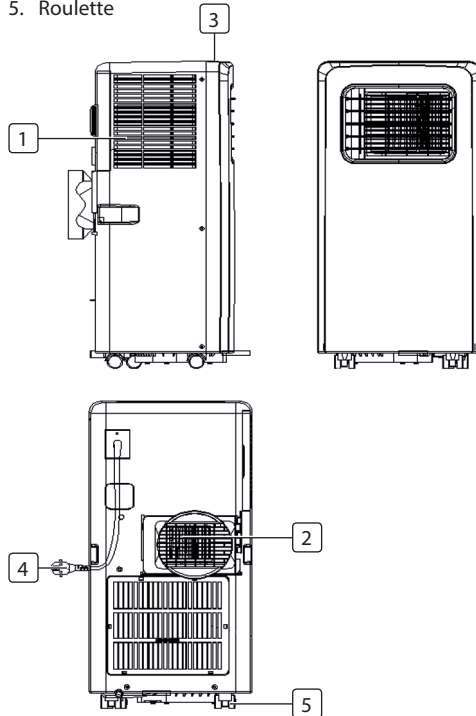
- L'appareil doit être rangé de manière à prévenir une panne mécanique.
- Les personnes utilisant ou travaillant sur le circuit de réfrigérant doivent avoir une attestation appropriée, délivrée par une organisation accréditée, qui assure qu'elles peuvent manipuler les réfrigérants conformément à une évaluation spécifique reconnue par des associations dans le secteur industriel
- Les réparations doivent être effectuées suivant la recommandation de l'entreprise de fabrication. La maintenance et les réparations nécessitant l'aide d'un personnel qualifié doivent être réalisées sous la supervision d'une personne spécialisée dans l'utilisation de réfrigérants inflammables.

## RÉFRIGÉRANT






(CE) N 842/2006 : Ce climatiseur contient du réfrigérant R290. La quantité de réfrigérant est inférieure à 1 kg, et se trouve dans un circuit de refroidissement fermé. Le liquide de refroidissement doit avoir un potentiel d'appauvrissement de la couche d'ozone nul, mais constitue, ce qu'on appelle, un gaz à effet de serre sous le protocole de Kyoto et peut ainsi contribuer au réchauffement climatique, s'il est libéré dans l'atmosphère. Par conséquent, seuls des techniciens disposant d'une attestation d'aptitude à la manipulation de réfrigérants peuvent effectuer un remplissage ou une vidange. Votre climatiseur ne doit pas être rempli avec du réfrigérant s'il est manipulé de façon appropriée ou s'il dispose d'un circuit de refroidissement intact. GWP : R290 : 3

## DESCRIPTION DES PIÈCES

1. Entrée d'air
2. Sortie d'air
3. Panneau de commande
4. Cordon d'alimentation
5. Roulette

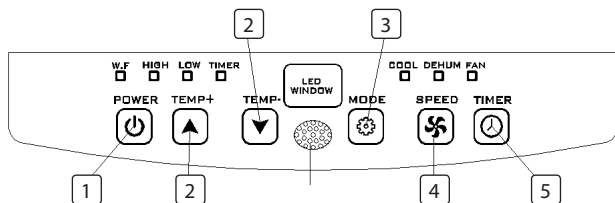


## ACCESSOIRES

Pièce	Description
	Tuyau d'évacuation d'air chaud
	Connecteur de tuyau (extrémité fenêtre)
	Connecteur de tuyau (extrémité climatiseur)
	Kit de fenêtre
	Télécommande

## FONCTIONS DU PANNEAU DE COMMANDE

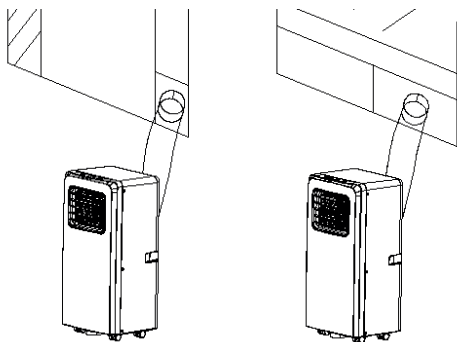
1. Bouton Power
2. Boutons Temperature
3. Bouton Mode
4. Bouton de réglage Fan speed
5. Bouton Marche/Arrêt Timer



## AVANT LA PREMIÈRE UTILISATION

### Avant le commencement des opérations dans cette section :

- Trouver un endroit à proximité d'une alimentation électrique.
- Installer le tuyau d'évacuation et bien régler la position de la fenêtre.



- Brancher le cordon d'alimentation dans une prise CA220~240V/50Hz reliée à la terre ;
- Appuyer sur le bouton POWER pour allumer le climatiseur.
- Plage de températures de fonctionnement : 18°C - 35°C
- Vérifier que le tuyau d'évacuation soit correctement monté.
- Lors de l'utilisation des fonctions de refroidissement et de déshumidification, observer un intervalle d'au moins 3 minutes entre chaque POWER.

## UTILISATION

### Refroidissement

- Appuyer sur le bouton "Mode" jusqu'à ce que l'icône "Cool" apparaisse.
- Appuyer sur le bouton ▲ ou ▼ pour sélectionner une température ambiante désirée. (16°C-31°C)
- Appuyer sur le bouton "Fan Speed" pour sélectionner la vitesse de l'air.

### Déshumidification

- Appuyer sur le bouton "Mode" jusqu'à ce que le voyant lumineux "Déshumidification" clignote
- Régler automatiquement la température choisie à la température ambiante actuelle moins 2°C. (16°C-31°C)
- Régler automatiquement le moteur du ventilateur sur la vitesse d'air BASSE

### Ventilateur

- Appuyer sur le bouton "Mode" jusqu'à ce que l'icône "Fan" apparaisse.
- Appuyer sur le bouton "Fan Speed" pour sélectionner la vitesse d'air.

### Minuteur

#### Réglage Minuteur MARCHÉ

- Lorsque le climatiseur est sur ARRÊT, appuyer sur le bouton "Timer" et sélectionner une heure souhaitée de MISE EN MARCHÉ avec les boutons de réglage de température et d'heure.
- "Preset ON Time" s'affiche sur le panneau de commandes.
- L'heure de MISE EN MARCHÉ peut être réglée à tout moment entre 0-24 heures.

**Réglage Minuteur ARRÊT**

- Lorsque le climatiseur est EN MARCHÉ, appuyer sur le bouton "Timer" et sélectionner une heure souhaitée d'ARRÊT avec les boutons de réglage de température et d'heure.
- "Preset OFF Time" s'affiche sur le panneau de commandes.
- L'heure d'ARRÊT peut être réglée à tout moment entre 0-24 heures.

**Vidange continue**

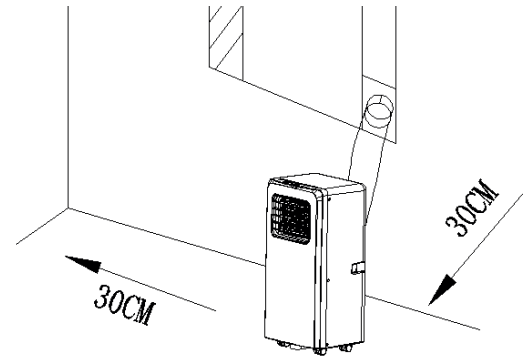
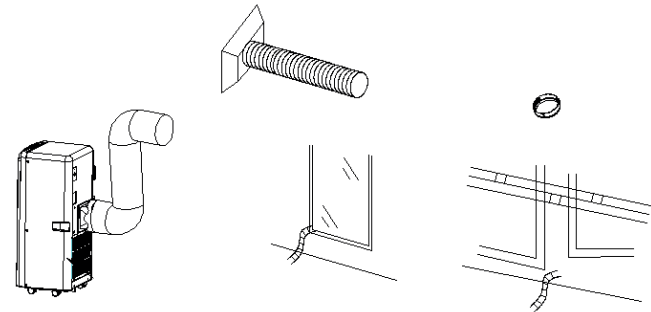
- Si l'appareil ne doit pas être utilisé pendant une longue période, veuillez enlever le bouchon en caoutchouc de l'orifice de vidange au bas de l'appareil, et relier un tuyau de vidange au collier de fixation le plus bas. Toute l'eau du réservoir d'eau s'évacuera vers l'extérieur.
- Si la pompe à eau est endommagée, la vidange continue peut être utilisée, et dans ce cas, la pompe à eau n'est pas déclenchée. L'appareil peut également bien fonctionner.
- Si la pompe à eau est endommagée, une vidange intermittente peut également être utilisée. Dans ce cas, si le voyant lumineux du réservoir d'eau plein s'allume, relier un tuyau de vidange au collier de fixation le plus bas.

**Alarme Réservoir d'eau intérieur plein**

Le réservoir d'eau intérieur du climatiseur dispose d'un commutateur de sécurité de niveau d'eau, qui commande le niveau de l'eau. Lorsque le niveau d'eau atteint une hauteur prévue, le voyant lumineux du réservoir d'eau plein s'allume. (Si la pompe à eau est endommagée, lorsque le réservoir d'eau est plein, veuillez enlever le bouchon en caoutchouc au bas de l'appareil et toute l'eau s'évacuera à l'extérieur.)

**INSTALLATION**

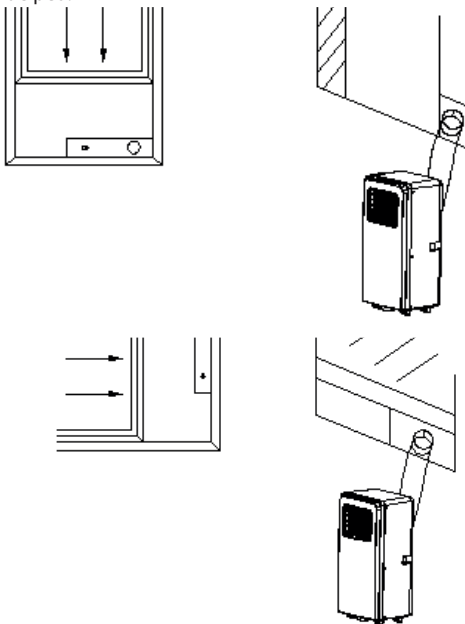
- Un climatiseur amovible doit être installé dans un lieu plat et dégagé tout autour. Ne pas bloquer la sortie d'air, et l'espace nécessaire tout autour doit être d'au moins 30 cm.
- Le câblage de la prise doit être conforme aux normes locales de sécurité électrique.

**Installation du tuyau d'évacuation**

- Entrelacer les deux extrémités du tuyau d'évacuation dans le collier de fixation carré et le collier de fixation plat.
- Insérer le collier de fixation carré dans les ouvertures à l'arrière du climatiseur.
- Mettre l'autre extrémité du tuyau d'évacuation sur l'appui de fenêtre à proximité.

#### Installation du Kit à châssis de fenêtre

- Le processus d'installation du kit à châssis de fenêtre est principalement « horizontal » et « vertical ». Le processus actuel varie de peu.



## ENTRETIEN ET NETTOYAGE

- Avant de nettoyer, veiller à débrancher l'appareil de la prise électrique.
- Nettoyer d'abord la surface avec un détergent neutre et un chiffon humide, et puis essuyez-le avec un chiffon sec.
- Ne pas utiliser d'essence ou autre produits chimiques pour nettoyer l'appareil.
- Ne pas laver directement l'appareil.
- Si le climatiseur est endommagé, veuillez contacter le revendeur ou l'atelier de réparation.

#### Filtre à air

- Si le filtre à air est bouché par la poussière/saleté, il devrait être nettoyé une fois toutes les deux semaines.
- Ouvrir la grille d'entrée d'air et retirer le filtre à air.
- Nettoyer le filtre à air avec un détergent neutre à l'eau tiède (40°C) et le sécher- à l'ombre.
- En replaçant le filtre à air dans la grille d'entrée d'air, remettez les éléments dans leurs positions.

## DÉPANNAGE

Problèmes	Causes possibles	Suggestions de solutions
L'appareil ne démarre pas en appuyant sur le bouton d'alimentation	<ul style="list-style-type: none"> <li>• Le voyant lumineux du réservoir d'eau plein clignote, et le réservoir d'eau est plein.</li> <li>• La température ambiante est supérieure à la température de réglage. (Mode de chauffage électrique)</li> <li>• La température ambiante est inférieure à la température de réglage. (Mode Refroidissement)</li> </ul>	<ul style="list-style-type: none"> <li>• Vider l'eau du réservoir d'eau.</li> <li>• Re-régler la température</li> <li>• Re-régler la température</li> </ul>
L'appareil ne refroidit pas suffisamment	<ul style="list-style-type: none"> <li>• Les portes ou les fenêtres ne sont pas fermées.</li> <li>• La pièce contient des sources de chaleur.</li> <li>• Le tuyau d'évacuation d'air n'est pas relié ou est bloqué.</li> <li>• La température réglée est trop élevée.</li> <li>• L'entrée d'air est bouchée.</li> </ul>	<ul style="list-style-type: none"> <li>• Veillez à ce que les fenêtres et les portes soient fermées.</li> <li>• Retirer les sources de chaleur si possible</li> <li>• Relier ou nettoyer le tuyau d'évacuation d'air.</li> <li>• Re-régler la température</li> <li>• Nettoyer l'entrée d'air.</li> </ul>



Problèmes	Causes possibles	Suggestions de solutions
Arrêt automatique en mode chauffage	<ul style="list-style-type: none"> <li>Protection de chauffage: lorsque la température de la sortie d'air dépasse 70°C, l'appareil s'arrêtera automatiquement.</li> </ul>	<ul style="list-style-type: none"> <li>Redémarrer l'appareil à une température ambiante moindre.</li> </ul>
Bruyant	<ul style="list-style-type: none"> <li>Le sol n'est pas de niveau ou suffisamment plat</li> <li>Le bruit vient de l'écoulement du fluide frigorigène à l'intérieur du climatiseur</li> </ul>	<ul style="list-style-type: none"> <li>Placer l'appareil sur une surface au sol de niveau et plate si possible</li> <li>Ceci est normal.</li> </ul>
Code E0	<ul style="list-style-type: none"> <li>Défaillance du capteur de température ambiante</li> </ul>	<ul style="list-style-type: none"> <li>Remplacer le capteur de température ambiante (l'appareil peut également fonctionner sans remplacement.)</li> </ul>
Code E2	<ul style="list-style-type: none"> <li>Réservoir d'eau plein</li> </ul>	<ul style="list-style-type: none"> <li>Veuillez vider le réservoir d'eau.</li> </ul>

Ce produit contient des gaz fluorés à effet de serre.

Art. N° : AC-5474  
 Réfrigérant : R290  
 Quantité en kg : 0,10  
 Potentiel de réchauffement climatique : 3

Art. N° : AC-5477  
 Réfrigérant : R290  
 Quantité en kg : 0,14  
 Potentiel de réchauffement climatique : 3

Art. N° : AC-5527PR  
 Réfrigérant : R290  
 Quantité en kg : 0,14  
 Potentiel de réchauffement climatique : 3

Art. N° : AC-5529  
 Réfrigérant : R290  
 Quantité en kg : 0,16  
 Potentiel de réchauffement climatique : 3

Art. N° : AC-5531  
 Réfrigérant : R290  
 Quantité en kg : 0,16  
 Potentiel de réchauffement climatique : 3

## GARANTIE

- Ce produit est garanti 24 mois. Votre garantie est valable si le produit est utilisé conformément aux instructions et aux fins pour lesquelles il a été prévu. De plus, la preuve d'achat originale (facture, ticket de caisse ou reçu) doit être soumise avec la date d'achat, le nom du revendeur et le numéro d'identification du produit.
- Pour les conditions détaillées de garantie, veuillez consulter notre site internet d'assistance : [www.tristar.eu](http://www.tristar.eu)

FR

## ENVIRONNEMENT



Cet appareil ne doit pas être jeté avec les déchets ménagers à la fin de sa durée de vie, mais doit être remis à un centre de recyclage d'appareils domestiques électriques et électroniques. Ce symbole sur l'appareil, le manuel d'utilisation et l'emballage attire votre attention sur ce sujet important. Les matériaux utilisés dans cet appareil peuvent être recyclés. En recyclant les appareils domestiques usagés, vous contribuerez à un effort important de la protection de notre environnement. Renseignez-vous auprès des autorités locales pour connaître les centres de collecte des déchets.

## ASSISTANCE

Vous trouverez toutes les informations disponibles et les pièces détachées sur <http://www.tristar.eu>

## SICHERHEITSAUWEISUNGEN

- Bitte lesen Sie dieses Benutzerhandbuch, um die ordnungsgemäßen Nutzung, Wartung und Installation sicherzustellen.
- Das Gerät ist ausschließlich für den Innenbereich bestimmt.
- Verwenden Sie das Gerät nicht an einer Steckdose, die repariert wird oder nicht ordnungsgemäß installiert wurde
- Verwenden Sie das Gerät nicht unter folgenden Voraussetzungen:
  - In der Nähe einer Wärmequelle.
  - In einem Bereich, in dem Öl verspritzt werden könnte.
  - In einem Bereich, der direktem Sonnenlicht ausgesetzt ist.
  - In einem Bereich, in dem Wasser verspritzt werden könnte.
  - In der Nähe eines Badezimmers, einer Wäscherei, einer Dusche oder eines Swimmingpools.
- Führen Sie niemals Finger oder Stangen in den Luftaustritt ein. Achten Sie besonders darauf, dass Kinder vor diesen Gefahren gewarnt werden.
- Achten Sie während des Transports und der Lagerung auf einen aufrechten Stand des Gerätes, damit der Kompressor ordnungsgemäß positioniert ist.
- Vor der Reinigung der Klimaanlage schalten Sie sie immer aus und trennen die Stromversorgung.
- Vor einer Bewegung der Klimaanlage schalten Sie sie immer aus und trennen die Stromversorgung.
- Um die Gefahren eines Brandes zu vermeiden, dürfen Sie die Klimaanlage niemals abdecken.
- Alle Steckdosen für die Klimaanlage müssen die örtlichen Sicherheitsanforderungen erfüllen. Prüfen Sie diese Anforderungen bei Bedarf.
- Kinder müssen beaufsichtigt werden, damit sichergestellt wird, dass sie nicht mit dem Gerät spielen.
- Wenn das Netzkabel beschädigt ist, muss es vom Hersteller oder seinem Kundendienstvertreter oder ähnlich qualifizierten Personen ersetzt werden, um ein Risiko zu vermeiden.
- Dieses Gerät kann von Kindern ab 8 Jahren und Personen mit eingeschränktem physischen, sensorischen oder geistigen Leistungsvermögen oder einem Mangel an Erfahrung und Fachkenntnis verwendet werden, wenn sie unter Aufsicht stehen oder Anweisungen hinsichtlich der sicheren Verwendung des Geräts erhalten haben und die damit verbundenen Gefahren kennen. Kinder dürfen mit dem Gerät nicht spielen. Reinigung und Nutzerwartung dürfen nicht von unbeaufsichtigten Kindern ausgeführt werden.
- Das Gerät muss gemäß nationaler Verdrahtungsvorschriften installiert werden.
- Hinweise:
  - Wenn Teile des Gerätes beschädigt sind, kontaktieren Sie bitte Ihren örtlichen Händler oder eine benannte Reparaturwerkstatt;
  - Bei einer Beschädigung schalten Sie den Luftschalter aus, trennen die Stromversorgung und kontaktieren den Händler oder eine benannte Reparaturwerkstatt;
  - In jedem Fall muss das Netzkabel ordnungsgemäß geerdet werden.
  - Um Gefahrenpotenzial zu vermeiden, schalten Sie den Luftschalter aus und trennen das Netzkabel, wenn es beschädigt ist. Es muss von Ihrem örtlichen Händler oder einer benannten Reparaturwerkstatt repariert werden.

**WARNHINWEIS**

- Verwenden Sie keine anderen als die vom Hersteller empfohlenen Mittel, um den Auftauprozess zu beschleunigen oder zur Reinigung.
  - Das Gerät sollte in einem Raum aufbewahrt werden, in dem keine Zündquellen (zum Beispiel: offene Flammen, ein in Betrieb befindliches Gasgerät oder eine laufende Elektroheizung) permanent in Betrieb sind.
  - Nicht durchbohren oder verbrennen.
  - Seien Sie sich bewusst, dass Kältemittel keinen Geruch enthalten dürfen.
  - Das Gerät sollte in einem Raum mit einer Grundfläche von mehr als  $X \text{ m}^2$  aufgestellt, in Betrieb genommen und aufbewahrt werden. ( $X=4$  für 5000 Btu/h, 7000 Btu/h, 8000 Btu/h;  $X=7,7$  für 9000 Btu/h, 10000 Btu/h, 10500 Btu/h)
  - Wenden Sie sich für Reparaturen und Wartungsarbeiten an diesem Gerät an einen autorisierten Service-Techniker.
  - Das Netzkabel darf nicht gezogen, verbogen, modifiziert oder in Wasser getaucht werden. Ziehen oder die falsche Verwendung des Netzkabels kann zu Schäden am Gerät führen und einen elektrischen Schlag verursachen.
  - Achten Sie auf die Einhaltung der nationalen Gasverordnungen.
  - Halten Sie die Ventilationsöffnungen frei von Hindernissen.
- Jede Person, die bei der Arbeit am oder dem Eingriff in den Kältemittelkreislauf beteiligt ist, muss ein aktuell gültiges Zertifikat einer, in der Industrie anerkannten, Beurteilungsstelle besitzen, das seine Kompetenz im sicheren Umgang mit Kältemitteln entsprechend einer branchenweit anerkannten Bewertungsvorgabe bestätigt.
  - Wartungsarbeiten dürfen nur, wie vom Gerätehersteller empfohlen, durchgeführt werden. Instandhaltungsarbeiten, die die Unterstützung anderer Fachkräfte erfordert, müssen unter Aufsicht einer Person ausgeführt werden, die für die Handhabung von entflammbaren Kältemitteln zuständig ist.
  - Nehmen Sie das Gerät nicht durch Einstecken oder Herausziehen des Netzsteckers in oder außer Betrieb, da dies einen elektrischen Schlag oder Feuer aufgrund der Hitzeentwicklung verursachen könnte.
  - Sollte das Gerät ungewöhnliche Geräusche, Gerüche oder Dämpfe von sich geben, trennen Sie es von der Stromversorgung.

DE



## WARNHINWEIS

Genauere Informationen über Geräte mit R 290 Kältemittelgas.

- Lesen Sie sich alle Warnhinweise sorgfältig durch.
- Verwenden Sie beim Auftauen oder bei der Reinigung des Geräts keine anderen als die von der Herstellerfirma empfohlenen Werkzeuge.
- Das Gerät sollte in einem Raum platziert werden, in dem keine Zündquellen (zum Beispiel: offene Flammen, ein in Betrieb befindliches Gasgerät oder eine laufende Elektroheizung) permanent in Betrieb sind.
- Nicht durchbohren oder verbrennen.
- Das Gerät sollte in einem Raum mit einer Grundfläche von mehr als  $X \text{ m}^2$  aufgestellt, in Betrieb genommen und aufbewahrt werden. ( $X=4$  für 5000 Btu/h, 7000 Btu/h, 8000 Btu/h;  $X=7,7$  für 9000 Btu/h, 10000 Btu/h, 10500 Btu/h)
- Dieses Gerät enthält Y g (siehe Typenschild auf der Rückseite des Geräts) des Kältemittelgases R290.
- R290 ist ein Kältemittelgas, das die europäischen Umweltschutzrichtlinien erfüllt. Durchbohren Sie keinen Teil des Kältemittelkreislaufs.
- Sollte das Gerät in einem unbelüfteten Raum aufgestellt, in Betrieb genommen oder aufbewahrt werden, muss dieser so konzipiert sein, dass Ansammlungen von Kältemittelleckagen, die durch Elektroheizungen, Öfen oder andere Zündquellen entzündet werden könnten und damit zu Feuer-

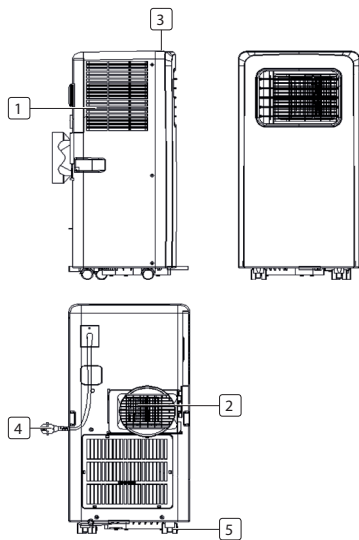
- und Explosionsgefahr führen, verhindert werden.
- Das Gerät muss so gelagert werden, dass mechanischen Ausfällen vorgebeugt wird.
- Personen, die den Kältemittelkreislauf in Betrieb nehmen oder daran arbeiten, müssen im Besitz des entsprechenden Zertifikats einer anerkannten Organisation sein, dass die Kompetenz in der Handhabung von Kältemitteln, gemäß einer von den Industrieverbänden anerkannten spezifischen Bewertung, garantiert.
- Reparaturen müssen auf Grundlage der Empfehlungen der Herstellerfirma ausgeführt werden. Instandhaltungsarbeiten, die die Unterstützung anderer Fachkräfte erfordert, müssen unter Aufsicht einer Person ausgeführt werden, die auf die Handhabung von entflammaren Kältemitteln spezialisiert ist.

## KÄLTEMITTEL






(CE) N 842/2006: Diese Klimaanlage enthält das Kältemittel R290. Die Menge des Kältemittels ist weniger als 1 kg und befindet sich in einem geschlossenen Kühlkreislauf. Das Kältemittel weist ein Ozonabbaupotenzial von Null auf, ist aber unter dem Kyoto-Protokoll als sogenanntes Treibhausgas aufgeführt und könnte somit zur globalen Erwärmung beitragen, sollte es in die Atmosphäre freigesetzt werden. Aus diesem Grund sollten ausschließlich geschulte Techniker mit einem Kältemittel-Zertifikat das Befüllen und Entleeren vornehmen. Das Kältemittel Ihrer Klimaanlage muss bei ordnungsgemäßer Verwendung und einem unbeschädigten Kältemittelkreislauf nicht wieder aufgefüllt werden. GWP: R290: 3

## TEILEBESCHREIBUNG

1. Lufteintritt
2. Luftaustritt
3. Bedienfeld
4. Netzkabel
5. Lenkrolle

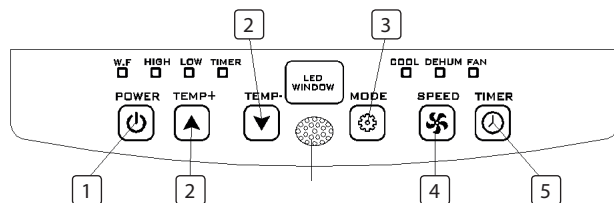


## ZUBEHÖR

Teil	Beschreibung
	Heißluft-Austrittsschlauch
	Schlauchanschluss (Fensterende)
	Schlauchanschluss (Klimaanlagenende)
	Fenster-Bausatz
	Fernbedienung

## FUNKTION DES BEDIENFELDS

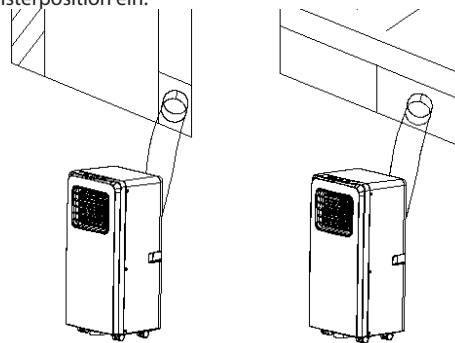
1. Power-Taste
2. Temperature-Tasten
3. Mode-Taste
4. Fanspeed- Einstelltaste
5. Timer on/off-Taste



## VOR DER ERSTEN VERWENDUNG

### Vor Betriebsbeginn:

- Finden Sie einen Standort mit nahe gelegener Stromversorgung.
- Installieren Sie den Abluftschlauch und stellen Sie die richtige Fensterposition ein.



- Stecken Sie das Netzkabel in eine geerdete 220~240V/50Hz-Wechselstrom-Steckdose;
- Drücken Sie die POWER-Taste, um die Klimaanlage einzuschalten.
- Betriebstemperaturbereich: 18°C- 35°C
- Prüfen Sie, ob der Abluftschlauch richtig montiert wurde.
- Wenn Sie eine Kühl- oder Entfeuchterfunktion nutzen, achten Sie auf einen Intervall von mindestens 3 Minuten zwischen jedem POWER.

## EINSATZ

### Kühlbetrieb

- Drücken Sie die "Mode"-Taste, bis das "Cool"-Symbol erscheint.
- Drücken Sie die ▲ oder ▼ Taste, um die gewünschte Raumtemperatur einzustellen. (16°C-31°C)
- Drücken Sie die "Fan Speed"-Taste, um die Lüftergeschwindigkeit auszuwählen.

### Entfeuchtungsbetrieb

- Drücken Sie die "Mode"-Taste, bis die "Entfeuchter-Anzeigelampe" blinkt.
- Die Temperatur wird automatisch auf die aktuelle Raumtemperatur minus 2°C eingestellt. (16°C-31°C)
- Der Lüftermotor wird automatisch auf NIEDRIGE Lüftergeschwindigkeit eingestellt.

### Lüfterbetrieb

- Drücken Sie die "Mode"-Taste, bis das "Fan"-Symbol erscheint.
- Drücken Sie die "Fan Speed"-Taste, um die Lüftergeschwindigkeit auszuwählen.

### Timer-Betrieb

#### Timer-Stellung EIN

- Wenn die Klimaanlage auf AUS steht, drücken Sie die "Timer"-Taste und wählen die gewünschte EINSCHALT-Zeit über die Temperatur- und Zeit-Einstellungstasten aus.
- Am Bedienfeld wird "Preset ON Time" angezeigt.

- Die EINSCHALT-Zeit kann auf jede Zeit von 0-24 Uhr eingestellt werden.

#### Timer-Stellung AUS

- Wenn die Klimaanlage auf EIN steht, drücken Sie die "Timer"-Taste und wählen die gewünschte AUSSCHALT-Zeit über die Temperatur- und Zeit-Einstellungstasten aus.
- Am Bedienfeld wird "Preset OFF Time" angezeigt.
- Die AUSSCHALT-Zeit kann auf jede Zeit von 0-24 Uhr eingestellt werden.

DE

### Dauerhaftes Entwässern

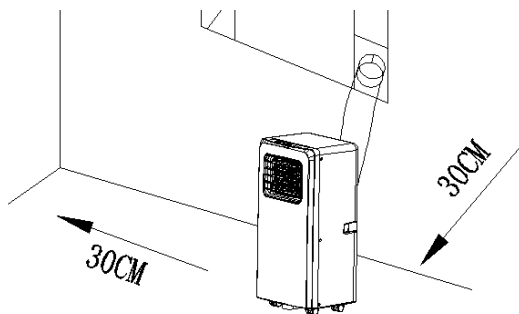
- Wenn das Gerät über einen längeren Zeitraum nicht genutzt werden soll, entfernen Sie bitte den Gummiverschluss vom Ablassrohr am Boden des Gerätes und verbinden den Ablassschlauch mit der unteren Halteklammer. Das gesamte Wasser aus dem Wassertank läuft heraus.
- Wenn die Wasserpumpe beschädigt ist, kann die dauerhafte Entwässerung genutzt werden. Unter dieser Bedingung wird die Wasserpumpe nicht aktiviert. Das Gerät kann trotzdem gut funktionieren.
- Wenn die Wasserpumpe beschädigt ist, kann auch eine unterbrochene Entwässerung genutzt werden. Unter dieser Bedingung schließen Sie den Ablassschlauch an die untere Halteklammer an, wenn die Anzeigelampe "Wasser voll" aufleuchtet.

### Alarmfunktion Interner Wassertank voll

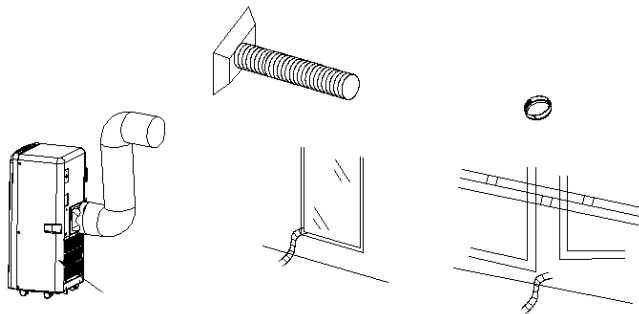
Der innere Wassertank in der Klimaanlage verfügt über eigene Wasserstand-Sicherheitsschalter, die den Wasserstand steuern. Wenn der Wasserstand die antizipierte Höhe erreicht, leuchtet die Wasserstand-Anzeigelampe "Voll" auf. (Wenn die Pumpe beschädigt ist, entfernen Sie bitte den Gummiverschluss am Boden des Gerätes, wenn der Wassertank voll ist, damit alles Wasser ablaufen kann.)

## INSTALLATION

- Eine entfernbare Klimaanlage muss an einem vollständig flachen und leeren Platz installiert werden. Blockieren Sie den Luftaustritt nicht. Der erforderliche Abstand um das Gerät muss mindestens 30cm betragen.
- Die Verdrahtung der Steckdose muss den örtlichen Elektro-Sicherheitsanforderungen entsprechen.



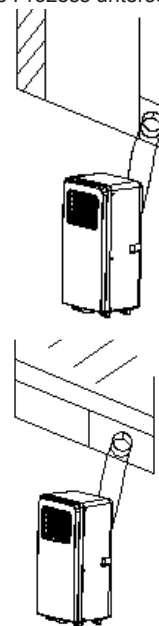
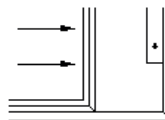
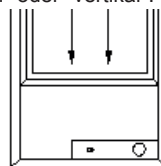
### Installation des Abluftschlauchs



- Drehen Sie beide Enden des Abluftschlauchs in die quadratische Halteklammer und die flache Halteklammer.
- Führen Sie die quadratische Halteklammer in die Öffnungen auf der Rückseite der Klimaanlage ein.
- Legen Sie das andere Ende des Abluftschlauchs auf das angrenzende Fensterbrett.

### Installation des Fenster-Schiebebausatzes

Die Installation des Fenster-Schiebebausatzes erfolgt meist "horizontal" oder "vertikal". Der tatsächliche Prozess unterscheidet sich kaum.





## REINIGUNGSWARTUNG

- Vor der Reinigung müssen Sie das Gerät von jeder Stromversorgung trennen.
- Reinigen Sie zuerst die Oberfläche mit einem neutralen Reinigungsmittel und einem feuchten Tuch, dann wischen Sie das Gerät mit einem trockenen Tuch ab.
- Verwenden Sie zum Reinigen des Geräts kein Benzin oder andere Chemikalien.
- Waschen Sie das Gerät nicht direkt ab.
- Wenn die Klimaanlage beschädigt ist, kontaktieren Sie bitte Ihren örtlichen Händler oder eine Reparaturwerkstatt.

### Luftfilter

- Wenn der Luftfilter mit Staub/Schmutz verstopft ist, muss er einmal alle zwei Wochen gereinigt werden.
- Öffnen Sie das Gitter und entnehmen Sie den Filter.
- Reinigen Sie den Luftfilter mit einem neutralen Reinigungsmittel in handwarmem Wasser (40°C), dann trocknen Sie ihn im Schatten.
- Setzen Sie den Luftfilter wieder ein und setzen Sie dann die anderen Bauteile wieder ein.

## FEHLERSUCHE

Fehler	Mögliche Ursachen	Empfohlene Schritte
Das Gerät startet nicht, wenn die Netztaaste gedrückt wird	<ul style="list-style-type: none"> <li>• Die Anzeigelampe für vollen Wasserstand blinkt und der Wassertank ist voll.</li> <li>• Die Raumtemperatur ist höher als die eingestellte Temperatur. (Elektroheizungsmodus)</li> <li>• Die Raumtemperatur ist niedriger als die eingestellte Temperatur. (Kühlmodus)</li> </ul>	<ul style="list-style-type: none"> <li>• Entfernen Sie das Wasser aus dem Tank.</li> <li>• Stellen Sie die Temperatur zurück</li> <li>• Stellen Sie die Temperatur zurück</li> </ul>

Fehler	Mögliche Ursachen	Empfohlene Schritte
Das Gerät kühlt nicht ausreichend.	<ul style="list-style-type: none"> <li>• Die Türen oder Fenster sind nicht geschlossen.</li> <li>• Es gibt Wärmequellen im Raum.</li> <li>• Der Abluftschlauch ist nicht angeschlossen oder verstopft.</li> <li>• Die Temperatureinstellung ist zu hoch.</li> <li>• Der Lufteintritt ist blockiert.</li> </ul>	<ul style="list-style-type: none"> <li>• Stellen Sie sicher, dass alle Fenster und Türen geschlossen sind.</li> <li>• Entfernen Sie, wenn möglich, alle Wärmequellen</li> <li>• Schließen Sie den Schlauch an oder reinigen Sie ihn.</li> <li>• Rückstellung der Temperatur</li> <li>• Reinigen Sie den Lufteintritt.</li> </ul>
Automatische Abschaltung im Heizmodus	<ul style="list-style-type: none"> <li>• Heizschutz, wenn die Temperatur am Luftaustritt 70°C überschreitet, das Gerät schaltet sich dann automatisch ab.</li> </ul>	<ul style="list-style-type: none"> <li>• Starten Sie das Gerät erneut bei niedrigerer Raumtemperatur.</li> </ul>
Lärm	<ul style="list-style-type: none"> <li>• Der Boden ist nicht ausreichend eben oder nicht flach genug</li> <li>• Das Geräusch resultiert vom Fluss des Kühlmittels in der Klimaanlage</li> </ul>	<ul style="list-style-type: none"> <li>• Platzieren Sie das Gerät, wenn möglich, auf einer ebenen Fläche</li> <li>• Das ist normal.</li> </ul>
Code E0	<ul style="list-style-type: none"> <li>• Ausfall Raumtemperatursensor</li> </ul>	<ul style="list-style-type: none"> <li>• Ersetzen Sie den Raumtemperatursensor (das Gerät funktioniert auch ohne Austausch).</li> </ul>
Code E2	<ul style="list-style-type: none"> <li>• Wassertank voll</li> </ul>	<ul style="list-style-type: none"> <li>• Bitte leeren Sie den Wassertank.</li> </ul>

Das Produkt oder die Ausrüstung enthält fluoriertes Treibhausgas.

Art. Nr. AC-5474  
 Kühlmittel: R290  
 Menge in kg: 0,10  
 Treibhauspotenzial: 3

Art. Nr. AC-5477  
 Kühlmittel: R290  
 Menge in kg: 0,14  
 Treibhauspotenzial: 3

Art. Nr. AC-5527PR  
 Kühlmittel: R290  
 Menge in kg: 0,14  
 Treibhauspotenzial: 3

Art. Nr. AC-5529  
 Kühlmittel: R290  
 Menge in kg: 0,16  
 Treibhauspotenzial: 3

Art. Nr.	AC-5531
Kühlmittel:	R290
Menge in kg:	0,16
Treibhauspotenzial:	3

## GARANTIE

- Dieses Produkt hat eine 24-monatige Garantie. Ihre Garantie ist gültig, wenn das Produkt gemäß den Anweisungen und für die Zwecke, für die es geschaffen wurde, benutzt wird. Darüber hinaus muss der ursprüngliche Kaufbeleg (Rechnung, Kassenbon oder Quittung) mit dem Kaufdatum, dem Namen des Händlers und der Artikelnummer des Produkts eingereicht werden.
- Detaillierte Garantiebedingungen entnehmen Sie bitte unserer Service-Webseite: [www.tristar.eu](http://www.tristar.eu)

## UMWELT



■ Dieses Gerät darf nach Ablauf der Betriebslebensdauer nicht im Hausmüll entsorgt werden, sondern muss zu einer Sammelstelle zum Recycling von elektrischen und elektronischen Haushaltsgeräten gebracht werden. Dieses Symbol am Gerät, das Betriebshandbuch und die Verpackung richtet Ihre Aufmerksamkeit auf diesen wichtigen Fakt. Die beim Gerät verwendeten Materialien können recycelt werden. Durch das Recycling von gebrauchten Haushaltsgeräten leisten Sie einen wichtigen Beitrag zum Schutz unserer Umwelt. Fragen Sie örtliche Behörden nach Informationen bezüglich der Sammelstelle.

## SUPPORT

Sie finden alle verfügbaren Informationen und Ersatzteile unter <http://www.tristar.eu>

## INSTRUCCIONES DE SEGURIDAD

- Lea atentamente este manual para garantizarse una correcta instalación, mantenimiento y uso del aparato.
- El aparato es para uso en interiores exclusivamente.
- No conecte la unidad en un enchufe en reparaciones o que no esté instalado correctamente.
- Siga las siguientes instrucciones. No utilice el aparato:
  - o Cerca del fuego.
  - o En una zona donde pueda salpicarle aceite.
  - o Donde incida la luz solar directamente.
  - o En una zona donde pueda salpicarle agua.
  - o Cerca de un baño, un lavadero, una ducha o una piscina.
- No introduzca los dedos ni ningún otro objeto en la salida de aire. Advierta a los niños de estos peligros.
- Mantenga la unidad en posición vertical durante el transporte y el almacenamiento para mantener el compresor en buen estado.
- Antes de limpiar el acondicionador de aire, apáguelo o desenchúfelo.
- Cuando vaya a mover el acondicionador de aire, apáguelo y desenchúfelo y muévelo despacio.
- Para evitar que el aparato provoque un incendio, no lo cubra.
- Toda la instalación del aire acondicionado debe cumplir con los requisitos de seguridad eléctrica locales. Si es necesario, compruebe los requisitos.
- Se debe supervisar a los niños para asegurarse de que no juegan con el aparato.
- Si se daña el cable de alimentación, deberá reemplazarlo el fabricante, su agente de servicio o personas con una cualificación similar con el fin de evitar situaciones de peligro.
- Este aparato lo pueden utilizar niños mayores de 8 años y personas con capacidades físicas, sensoriales o mentales reducidas o con falta de experiencia y conocimiento, solamente si están supervisados o si se les han proporcionado instrucciones sobre el uso del aparato y entienden los riesgos que conlleva. Los niños no deben jugar con el aparato. Las tareas de limpieza y mantenimiento no podrán realizarlas los niños sin supervisión directa de un adulto.
- La instalación eléctrica del aparato debe realizarse según las normas legales vigentes.
- Notas:
  - o Si se daña alguna pieza, póngase en contacto con su distribuidor o con el taller de reparaciones designado.
  - o En caso de que sufra cualquier daño, apague el aparato, desenchúfelo y póngase en contacto con el distribuidor o con el taller de reparaciones designado.
  - o En cualquier caso, el cable de alimentación debe conectarse a tierra.
  - o Para evitar cualquier peligro, si el cable de alimentación está dañado, apague el aire acondicionado y desenchúfelo. El cable solo puede reemplazarlo su distribuidor o el personal del taller de reparaciones designado.

## ADVERTENCIA

- No utilice otros medios que no sean los recomendados por el fabricante para acelerar el proceso de descongelación ni para limpiar el aparato.
- El aparato debe guardarse en una habitación en donde no esté expuesto a fuentes de combustión en funcionamiento continuo (por ejemplo: una llama, un aparato de gas o un calentador eléctrico en funcionamiento).
- No perfore ni queme el aparato.
- Tenga en cuenta que los refrigerantes pueden que no emitan olor.
- El aparato se debe instalar, utilizar y almacenar en una habitación con un área mayor a X m<sup>2</sup>. (X = 4 para 1,47 kW, 2,05 kW, 2,34 kW; X = 7,7 para 2,64 kW, 2,93 kW, 3,08 kW)
- Contacte con el servicio técnico autorizado para la reparación o el mantenimiento de la unidad.
- No tire, deforme o modifique el cable de alimentación ni lo sumerja en agua. Si tira del cable de alimentación o hace un mal uso del mismo, puede dañar la unidad y provocar una descarga eléctrica.
- Deben observarse las normativas nacionales relativas al gas.
- Mantenga las aberturas de ventilación libres de obstáculos.
- Cualquier persona que intervenga en el trabajo

o en la apertura de un circuito refrigerante debe contar con un certificado vigente emitido por una entidad evaluadora acreditada por la industria, el cual autorice su competencia para la manipulación segura de refrigerantes de acuerdo con una especificación de evaluación reconocida por la industria.

- El mantenimiento solo debe realizarse de la forma recomendada por el fabricante del equipo. Los trabajos de mantenimiento y reparación que requieran la ayuda de otra persona cualificada deben realizarse bajo la supervisión de la persona competente en el uso de refrigerantes inflamables.
- No ponga en funcionamiento ni detenga la unidad introduciendo o tirando del enchufe, puede provocar una descarga eléctrica o un incendio debido a la generación de calor.
- Desenchufe la unidad si emite sonidos extraños, olor o humo.



## ADVERTENCIA

Información específica sobre aparatos con gas refrigerante R290.

- Lea detenidamente todas las advertencias.
- Al descongelar y limpiar el aparato, no utilice herramientas que no sean las recomendadas por el fabricante.
- El aparato debe colocarse en un lugar en donde no esté expuesto a fuentes de combustión en funcionamiento continuo (por ejemplo: una llama, un aparato de gas o eléctrico en funcionamiento).
- No perfore ni queme el aparato.
- El aparato se debe instalar, utilizar y almacenar en una habitación con un área mayor a X m<sup>2</sup>. (X = 4 para 1,47 kW, 2,05 kW, 2,34 kW; X = 7,7 para 2,64 kW, 2,93 kW, 3,08 kW)
- Este aparato contiene Y g (ver etiqueta de clasificación en la parte posterior de la unidad) de gas refrigerante R290.
- El R290 es un refrigerante que cumple con las directivas europeas sobre el medio ambiente. No perfore ninguna parte del circuito del refrigerante.
- Si el aparato se instala, utiliza o almacena en un lugar sin ventilación, la habitación debe estar diseñada para evitar la acumulación de fugas de refrigerante, ya que supone un riesgo de incendio o explosión debido a la ignición del refrigerante causado por los calentadores eléctricos, estufas u otras fuentes de ignición.

- El aparato debe guardarse de forma que se evite cualquier error mecánico.
- Las personas que manejen o trabajen en el circuito refrigerante deben tener la certificación apropiada emitida por una organización acreditada que garantice la competencia en el manejo de refrigerantes según una evaluación específica reconocida por las organizaciones en la industria.
- Las reparaciones deben realizarse según las recomendaciones del fabricante. Los trabajos de mantenimiento y reparación que requieran la ayuda de otra persona cualificada deben realizarse bajo la supervisión de la persona competente en el uso de refrigerantes inflamables.

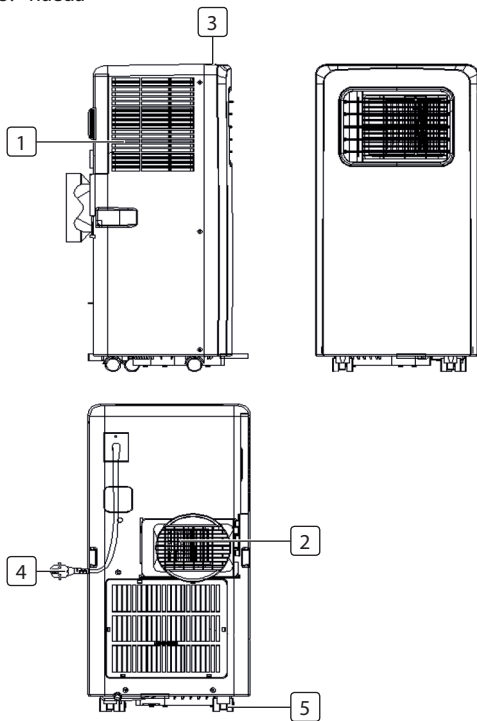
ES

## REFRIGERANTE






(CE) N 842/2006: Este aparato de aire acondicionado contiene refrigerante R290. La cantidad de refrigerante es inferior a 1 kg y circula por un circuito cerrado de refrigeración. El refrigerante tiene un potencial de agotamiento de la capa de ozono igual a cero, pero se denomina gas de efecto invernadero según el Protocolo de Kioto y puede, por consiguiente, contribuir al calentamiento global si se libera a la atmósfera. Por lo tanto, únicamente los técnicos cualificados en el uso de refrigerantes pueden llenarlo o vaciarlo. El aire acondicionado no se tiene que rellenar con refrigerante si se utiliza correctamente y el circuito de refrigeración está en buen estado. GWP: R290: 3

## DESCRIPCIÓN DE LAS PIEZAS

1. Entrada de aire
2. Salida de aire
3. Panel de control
4. Cable de corriente
5. Rueda

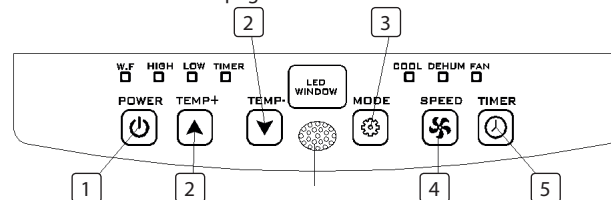


## ACCESORIOS

Piezas	Descripción
	Tubo de extracción de aire caliente
	Adaptador (para la ventana)
	Adaptador del tubo de extracción (para el aparato de aire)
	Kit para ventanas
	Mando a distancia

## FUNCIONES DEL PANEL DE CONTROL

1. Botón Power
2. Botones Temperature
3. Botón Mode
4. Ajuste Fan speed
5. Botón de encendido/apagado Timer

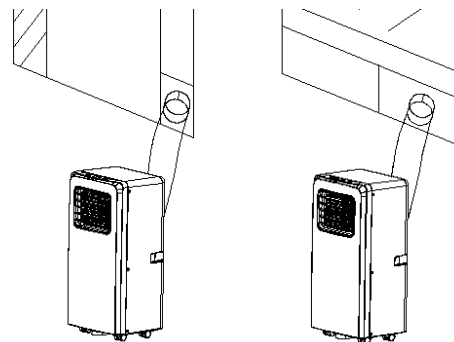


ES

## ANTES DE USAR POR PRIMERA VEZ

**Antes de utilizar el aparato:**

- Busque un lugar donde haya un enchufe cerca.
- Instale el tubo de extracción y colóquelo en la ventana correctamente.



- Enchufe el cable a una fuente de alimentación AC220 ~ 240V/50Hz con toma de tierra;
- Presione el botón POWER para encender el aire acondicionado.
- Rango de temperatura de funcionamiento: 18 C - 35°C.
- Compruebe si el tubo de extracción se ha colocado correctamente.
- Cuando utilice las funciones de refrigeración y deshumidificación, mantenga un intervalo de al menos 3 minutos entre cada POWER.

## USO

### Función de refrigeración

- Presione el botón "Mode" hasta que aparezca el icono de "Cool".
- Presione el botón ▲ o ▼ para seleccionar la temperatura deseada. (16°C-31°C).
- Establece automáticamente el ventilador a la velocidad del viento BAJA.

### Función de deshumidificación

- Presione el botón "Mode" hasta que parpadee el "indicador de deshumidificación".
- La temperatura se ajusta automáticamente a la temperatura actual menos 2°C (16°C-31°C)
- Establece automáticamente el ventilador a la velocidad del viento BAJA.

### Función de ventilación

- Presione el botón "Mode" hasta que aparezca el icono de "Fan".
- Presione el botón "Fan Speed" para seleccionar la velocidad del viento.

### Función de temporizador

#### Ajuste del encendido del temporizador

- Cuando el aire acondicionado esté APAGADO, pulse el botón "Timer" y seleccione la hora de encendido con los botones de ajuste de temperatura y de tiempo.
- Aparecerá "Preset ON Time" en el panel de control.
- Puede regular la hora de encendido entre 0-24 horas.

#### Ajuste del apagado del temporizador

- Cuando el aire acondicionado esté ENCENDIDO, pulse el botón "Timer" y seleccione la hora de apagado con los botones de ajuste de temperatura y de tiempo.
- Aparecerá "Preset OFF Time" en el panel de control.
- Puede regular la hora de apagado entre 0-24 horas.

#### Drenaje continuo

- Cuando no vaya a utilizar el aparato durante mucho tiempo, quite el tapón de goma del agujero de drenaje en la parte inferior de la unidad y conecte una manguera de drenaje al conector inferior. Saldrá toda el agua del depósito.
- Si se daña la bomba de agua, puede utilizar el drenaje continuo, pero siempre con la condición de no activar la bomba de agua. La unidad también funciona de esa forma correctamente.
- Si se daña la bomba de agua, también puede utilizar el drenaje intermitente. Para ello, cuando se ilumine el indicador de depósito lleno, conecte una manguera de drenaje en el conector inferior.

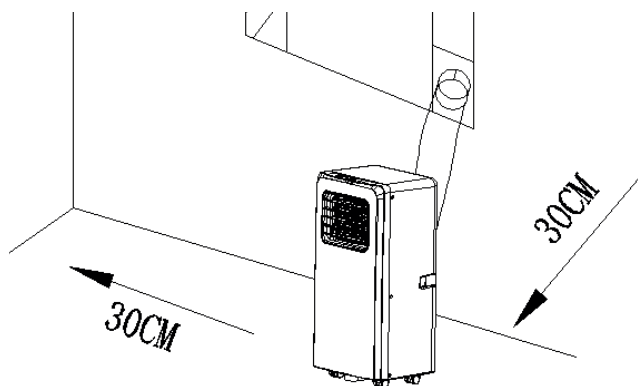
#### Función de detección de depósito lleno

El interior del depósito del acondicionador de aire tiene un interruptor de seguridad de nivel de agua que controla el nivel de agua. Cuando el nivel de agua alcanza la altura prevista, se enciende el indicador de depósito lleno. (Si se daña la bomba de agua, cuando el depósito de agua esté lleno, quite el tapón de goma de la parte inferior de la unidad y saldrá toda el agua.)

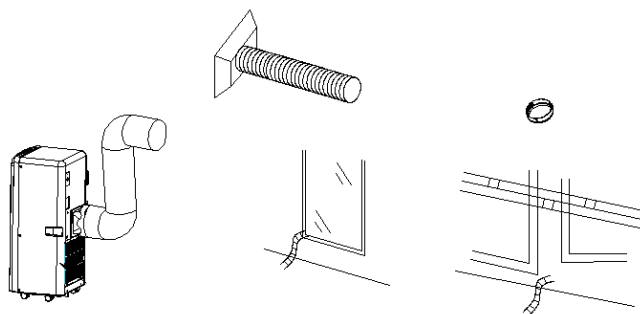
## INSTALACIÓN

- El aire acondicionado portátil debe instalarse en una superficie plana y sin nada alrededor. No bloquee la salida de aire, mantenga una distancia mínima de 30 cm alrededor del aparato.
- La instalación eléctrica debe cumplir los requisitos de seguridad eléctrica locales.





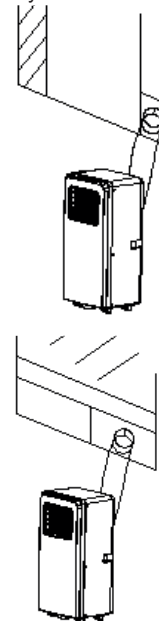
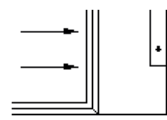
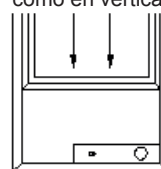
Instalación del tubo de extracción



- Coloque un extremo del tubo de extracción en el adaptador del tubo de extracción y gírelo, y el otro extremo en el adaptador para el kit de ventana.
- Inserte el adaptador en el hueco en la parte trasera del aire acondicionado.
- Ponga el otro extremo del tubo de extracción en el alféizar de la ventana más cercana.
- 

**Instalación del kit deslizante de ventana**

- El kit deslizante de ventana se puede colocar tanto en horizontal como en vertical, realmente no hay mucha diferencia.



ES

## LIMPIEZA Y MANTENIMIENTO

- Desenchufe el cable de corriente antes de limpiar el aparato.
- Primero limpie la superficie con un paño húmedo y un detergente neutro y luego utilice un paño seco.
- No use productos abrasivos ni otros productos químicos para limpiar la unidad.
- No lave la unidad directamente.
- Si se daña el aire acondicionado, póngase en contacto con su distribuidor o con el taller de reparaciones.

### Filtro de aire

- El filtro de aire se llena de polvo o suciedad, por lo que debe limpiarse una vez cada dos semanas.
- Abra la rejilla de entrada de aire y saque el filtro de aire.
- Limpie el filtro con detergente neutro y agua tibia (40°C) y séquelo a la sombra.
- Ponga el filtro de aire en la rejilla de entrada y vuelva a colocar los componentes como estaban.

## RESOLUCIÓN DE PROBLEMAS

Problemas	Causas posibles	Soluciones sugeridas
El aparato no arranca al pulsar el botón de encendido	<ul style="list-style-type: none"> <li>• El indicador de depósito lleno parpadea y el depósito de agua está lleno.</li> <li>• La temperatura ambiente es mayor que la temperatura seleccionada. (Modo calefacción)</li> <li>• La temperatura ambiente es menor que la temperatura seleccionada. (Modo refrigeración)</li> </ul>	<ul style="list-style-type: none"> <li>• Vacíe el agua del depósito.</li> <li>• Reajuste la temperatura</li> <li>• Reajuste la temperatura</li> </ul>

Problemas	Causas posibles	Soluciones sugeridas
El aparato no enfría	<ul style="list-style-type: none"> <li>• Las puertas y las ventanas no están cerradas.</li> <li>• Hay fuentes de calor dentro de la habitación.</li> <li>• El tubo de extracción no está conectado o está bloqueado.</li> <li>• La temperatura es demasiado alta.</li> <li>• La entrada de aire está bloqueada.</li> </ul>	<ul style="list-style-type: none"> <li>• Asegúrese de que todas las ventanas y las puertas están cerradas.</li> <li>• Retire las fuentes de calor si es posible.</li> <li>• Conecte o limpie el tubo de extracción.</li> <li>• Reajuste la temperatura</li> <li>• Limpie la entrada de aire.</li> </ul>
Apagado automático en modo calefacción	<ul style="list-style-type: none"> <li>• Protección del calor: cuando la temperatura de la salida de aire es superior a 70°C, el aparato se apaga automáticamente.</li> </ul>	<ul style="list-style-type: none"> <li>• Reinicie la unidad a una temperatura bastante inferior.</li> </ul>
Demasiado ruidoso	<ul style="list-style-type: none"> <li>• El suelo no está nivelado o no es lo suficientemente plano.</li> <li>• El sonido procede del flujo del refrigerante en el acondicionador de aire</li> </ul>	<ul style="list-style-type: none"> <li>• Coloque la unidad sobre una superficie plana, si es posible.</li> <li>• Es normal.</li> </ul>
Código E0	<ul style="list-style-type: none"> <li>• Error en el sensor de temperatura</li> </ul>	<ul style="list-style-type: none"> <li>• Reemplace el sensor de temperatura (la unidad también puede funcionar sin sustituir el sensor)</li> </ul>
Código E2	<ul style="list-style-type: none"> <li>• Depósito de agua lleno</li> </ul>	<ul style="list-style-type: none"> <li>• Vacíe el depósito de agua.</li> </ul>

El producto o equipo contiene gases fluorados de efecto invernadero.

N.º de artículo: AC-5474  
 Refrigerante: R290  
 Cantidad en kg: 0,10  
 Potencial de Calentamiento Global: 3

N.º de artículo: AC-5477  
 Refrigerante: R290  
 Cantidad en kg: 0,14  
 Potencial de Calentamiento Global: 3

N.º de artículo: AC-5527PR  
 Refrigerante: R290  
 Cantidad en kg: 0,14  
 Potencial de Calentamiento Global: 3

N.º de artículo. AC-5529  
 Refrigerante: R290  
 Cantidad en kg: 0,16  
 Potencial de Calentamiento Global: 3

N.º de artículo. AC-5531  
 Refrigerante: R290  
 Cantidad en kg: 0,16  
 Potencial de Calentamiento Global: 3

## GARANTÍA

- Este producto tiene una garantía de 24 meses. Su garantía será válida si el producto se usa según las instrucciones y con el fin para el que ha sido creado. Además, deberá mandarse el documento original de compra (factura, tique o recibo) con la fecha de compra, el nombre del vendedor y el código de artículo del producto.
- Para consultar las condiciones completas de la garantía, rogamos se dirija a: [www.tristar.eu](http://www.tristar.eu).

ES

## MEDIO AMBIENTE



Este aparato no debe desecharse con la basura doméstica al final de su vida útil, sino que se debe entregar en un punto de recogida para el reciclaje de aparatos eléctricos y electrónicos. Este símbolo en el aparato, manual de instrucciones y embalaje quiere atraer su atención sobre esta importante cuestión. Los materiales utilizados en este aparato se pueden reciclar. Al reciclar los aparatos domésticos usados, contribuye de manera importante a la protección de nuestro medio ambiente. Consulte a sus autoridades locales para obtener información acerca del punto de recogida.

## ASISTENCIA

Puede encontrar toda la información disponible y repuestos en <http://www.tristar.eu>.

## INSTRUÇÕES DE SEGURANÇA

- Leia este manual do utilizador com cuidado para garantir uma utilização, manutenção e instalação corretas.
- O aparelho destina-se apenas ao uso interno.
- Não use a unidade numa tomada que se encontre em reparação ou que não esteja devidamente instalada
- Não use a unidade, siga estas precauções:
  - o Perto de fontes de calor.
  - o Em áreas onde possa salpicar óleo.
  - o Em áreas expostas à luz solar direta.
  - o Em área onde possa salpicar água.
  - o Perto de banheiras, máquinas de lavar roupa, chuveiros ou piscinas.
- Nunca insira os dedos, hastes na saída de ar. Tenha especial cuidado e avise as crianças sobre estes perigos.
- Mantenha a unidade na vertical durante o respetivo transporte e armazenamento, para que o compressor fique corretamente colocado.
- Antes de limpar o ar condicionado, desligue-o sempre ou retire a ficha da tomada.
- Quando deslocar o ar condicionado, desligue-o sempre, retire a ficha da tomada e mova-o lentamente.
- Para evitar a possibilidade de incêndio, o ar condicionado não pode ser tapado.
- Todas as tomadas do ar condicionado têm de cumprir os requisitos de segurança elétrica locais. Se for necessário, verifique os requisitos.
- As crianças devem ser supervisionadas para garantir que não brincam com o aparelho.
- Se o cabo de alimentação ficar danificado, terá de ser substituído pelo fabricante, respetivo agente de reparação ou pessoas de qualificação semelhante, para evitar um perigo.
- Este aparelho pode ser usado por crianças a partir dos 8 anos e por pessoas com capacidades físicas, sensoriais ou mentais reduzidas ou com falta de experiência, desde que recebam supervisão ou instruções relativamente ao uso do aparelho de forma segura e que compreendam os perigos envolvidos. As crianças não devem brincar com o aparelho. A limpeza e manutenção não devem ser efetuadas por crianças sem supervisão.
- O aparelho deve ser instalado de acordo com os regulamentos de cablagem nacionais.
- Notas:
  - o Se alguma peça ficar danificada, contacte o revendedor ou uma oficina de reparação designada;
  - o Em caso de danos, desligue o interruptor de ar, o cabo de alimentação e contacte o revendedor ou uma oficina de reparação designada
  - o O revendedor ou uma oficina de reparação designada;
  - o Em qualquer um dos casos, o cabo de alimentação tem de possuir ligação à terra.
  - o Para evitar a possibilidade de perigo, se o cabo de alimentação estiver danificado, desligue o interruptor de ar e o cabo de alimentação. O mesmo terá de ser substituído pelo revendedor ou oficina de reparação designada.

**AVISO**

- Não use meios para acelerar o processo de descongelação ou para limpar diferentes dos meios recomendados pelo fabricante.
- O aparelho deverá ser armazenado numa sala sem fontes de ignição em funcionamento contínuo (por exemplo: chamas abertas, aparelhos de funcionamento a gás ou aquecedores de funcionamento elétrico).
- Não fure nem queime.
- Saiba que, os refrigerantes poderão não conter odor.
- O aparelho deverá ser instalado, operado e armazenado numa sala com uma área de piso maior que X m<sup>2</sup>. (X=4 para 5000Btu/h, 7000Btu/h, 8000Btu/h; X=7,7 para 9000Btu/h, 10000Btu/h, 10500Btu/h)
- Contacte um técnico de serviço autorizado para reparação ou manutenção desta unidade.
- Não puxe, deforme nem modifique o cabo de alimentação nem o mergulhe na água. Se puxar ou não usar corretamente o cabo de alimentação poderá resultar em danos na unidade e causar um choque elétrico.
- Deverá cumprir os regulamentos nacionais de gás.
- Mantenha as aberturas de ventilação desobstruídas.
- Qualquer pessoa que esteja a trabalhar num circuito de refrigeração deverá possuir um

certificado atual válido de uma autoridade de avaliação industrial acreditada, que autorize a sua competência em trabalhar com líquidos de refrigeração em segurança, de acordo com uma especificação de avaliação reconhecida pela indústria.

- O serviço só deverá ser executado conforme recomendado pelo fabricante do equipamento. A manutenção e reparação que necessitem de assistência de pessoas com outras competências, deverão ser executadas sob a supervisão de outra pessoa competente no uso de refrigerantes inflamáveis.
- Não opere nem pare a unidade inserindo ou puxando a tomada, poderá causar um choque elétrico ou incêndio devido à geração de calor.
- Retire a ficha da unidade da tomada se a mesma produzir sons estranhos, odor ou fumo.



## AVISO

Informações específicas relativas a aparelhos com gás refrigerante R 290.

- Leia com atenção todos os avisos.
- Ao descongelar e limpar o aparelho, não use ferramentas diferentes das recomendadas pela empresa fabricante.
- O aparelho tem de estar colocado numa área sem fontes de ignição contínuas (por exemplo: chamas abertas, aparelhos a gás ou elétricos em funcionamento).
- Não fure nem queime.
- O aparelho deverá ser instalado, operado e armazenado numa sala com uma área de piso maior que X m<sup>2</sup>. (X=4 para 5000Btu/h, 7000Btu/h, 8000Btu/h; X=7,7 para 9000Btu/h, 10000Btu/h, 10500Btu/h)
- Este aparelho contém Y g (consulte a etiqueta de classificação na parte posterior da unidade) de gás refrigerante R290.
- R290 é um gás refrigerante que cumpre as diretivas europeias relativas ao ambiente. Não fure nenhuma peça do circuito refrigerante.
- Se o aparelho for instalado, operado ou armazenado numa área sem ventilação, a sala deverá estar concebida para impedir a acumulação de fugas de refrigeração, resultando num risco de incêndio ou explosão devido à ignição do refrigerante, causada pelos aquecedores elétricos,

fornos ou outras fontes de ignição.

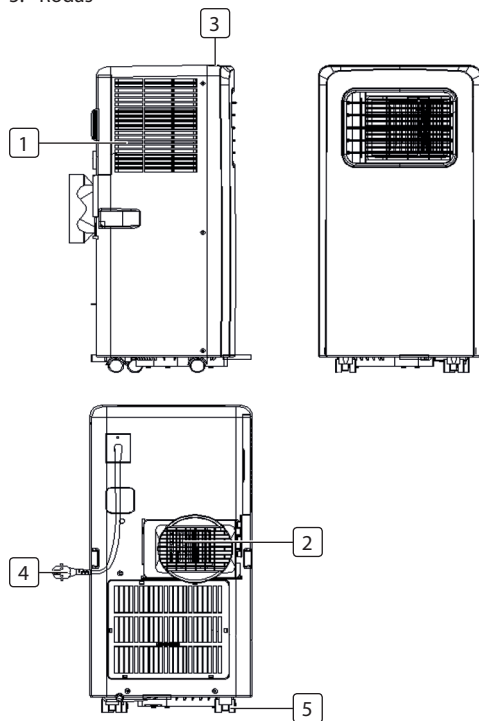
- O aparelho tem de ser armazenado de modo a evitar uma falha mecânica.
- As pessoas que operam ou trabalham no circuito de refrigeração têm de ter a certificação apropriada, emitida por uma organização acreditada, que garanta a competência no manuseio de refrigerantes, de acordo com uma avaliação específica reconhecida pelas associações na indústria.
- As reparações têm de ser executadas com base na recomendação da empresa fabricante. A manutenção e as reparações que necessitem de assistência de pessoas com outras qualificações, terão de ser executadas sob a supervisão de uma pessoa competente no uso de refrigerantes inflamáveis.

## REFRIGERANTE






(CE) N 842/2006: Este ar condicionado contém o refrigerante R290. A quantidade de refrigerante é inferior a 1kg e encontra-se num circuito de refrigeração fechado. O refrigerante possui zero potencial de destruição da camada de ozono, embora seja denominado por gás de estufa ao abrigo do Protocolo de Quioto e possa assim contribuir para o aquecimento global, caso seja libertado para a atmosfera. Deste modo, apenas os técnicos especializados com certificado de refrigerante executam um enchimento ou esvaziamento. O seu ar condicionado não tem de ser reabastecido com refrigerante se for usado corretamente e possuir um circuito de refrigeração sem danos. GWP: R290: 3

## DESCRIÇÃO DAS PEÇAS

1. Entrada de ar
2. Saída de ar
3. Painel de controlo
4. Cabo de alimentação
5. Rodas

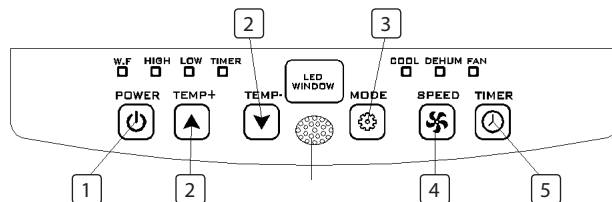


## ACESSÓRIOS

Peça	Descrição
	Bocal de exaustão de ar quente
	Conetor do bocal (Extremidade da janela)
	Conetor do bocal (Extremidade do ar condicionado)
	Kit da janela
	Controlador remoto

## FUNÇÃO DO PAINEL DE CONTROLO

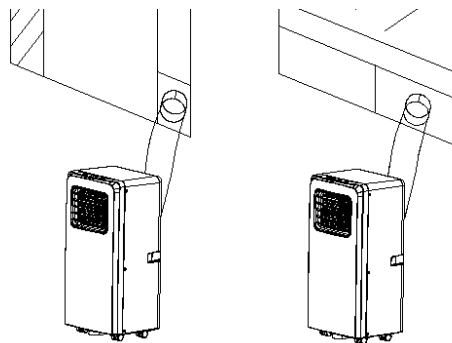
1. Botão Power
2. Botões de Temperature
3. Botão Mode
4. Botão de ajuste Fan speed
5. Botão de ligação/desligamento Timer



## ANTES DA PRIMEIRA UTILIZAÇÃO

### Antes de iniciar as operações nesta secção:

- Encontre um lugar onde exista uma fonte de alimentação perto.
- Instale o bocal de exaustão e ajuste bem a posição da janela.





- Insira o cabo de alimentação numa tomada AC220~240V/50Hz com ligação à terra;
- Prima o botão POWER para ligar o ar condicionado.
- Gama de temperatura de funcionamento: 18°C - 35°C
- Verifique se o bocal de exaustão foi corretamente montado.
- Quando usar funções de arrefecimento e desumidificação, mantenha um intervalo de, pelo menos, 3 minutos entre cada POWER.

## UTILIZAÇÃO

### Funcionamento do arrefecimento

- Prima o botão “Mode” até o ícone “Cool” aparecer.
- Prima o botão ▲ ou ▼ para selecionar uma temperatura ambiente pretendida. (16°C-31°C)
- Prima o botão “Fan Speed” para selecionar a velocidade do vento.

### Funcionamento da desumidificação

- Prima o botão “Mode” até a “Lâmpada do Indicador de Desumidificação” piscar
- Defina automaticamente a temperatura selecionada para a temperatura ambiente atual menos 2°C. (16°C-31°C)
- Defina automaticamente o motor da ventoinha para uma velocidade do vento BAIXA.

### Funcionamento da ventoinha

- Prima o botão “Mode” até o ícone “Fan” aparecer.
- Prima o botão “Fan Speed” para selecionar a velocidade do vento.

### Funcionamento do temporizador

#### Definição de LIGAÇÃO do temporizador

- Quando o ar condicionado estiver DESLIGADO, prima o botão “Timer” e selecione um tempo de LIGAÇÃO pretendido através dos botões de definição de temperatura e tempo.
- “Preset ON Time” é apresentado no painel operacional.

- O tempo de LIGAÇÃO pode ser regulado em qualquer momento, em 0-24 horas.

#### Definição de DESLIGAMENTO do temporizador

- Quando o ar condicionado estiver LIGADO, prima o botão “Timer” e selecione um tempo de DESLIGAMENTO pretendido através dos botões de definição de temperatura e tempo.
- “Preset OFF Time” é apresentado no painel operacional.
- O tempo de DESLIGAMENTO pode ser regulado em qualquer momento, em 0-24 horas.

#### Drenagem Contínua

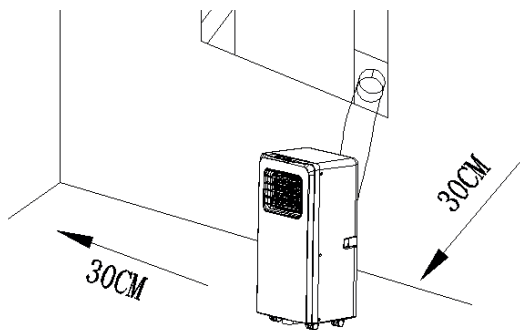
- Quando planear não usar esta unidade durante muito tempo, remova o bloqueio de borracha do orifício de drenagem, na parte inferior da unidade, e ligue um bocal de drenagem ao clipe de fixação inferior.
- Toda a água no depósito de água será drenada para fora.
- Se a bomba de água estiver danificada, poderá usar a drenagem contínua e, neste estado, a bomba de água não será ativada. A unidade poderá também funcionar bem.
- Se a bomba de água estiver danificada, a drenagem intermitente também poderá ser usada. Neste estado, quando a lâmpada do indicador de água cheia acender, ligue um bocal de drenagem ao clipe de fixação inferior.

#### Função de Alarme de Depósito de Água Interno Cheio

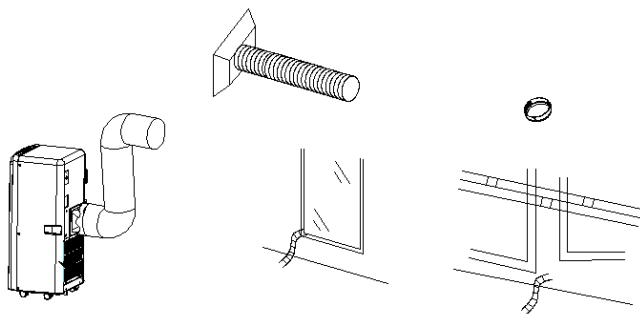
O depósito de água interno no ar condicionado possui um interruptor de segurança de nível de água que controla o nível de água. Quando o nível de água atinge uma altura antecipada, a lâmpada do indicador de água cheia acende. (Se a bomba de água estiver danificada, quando a água estiver cheia, remova o bloqueio de borracha na parte inferior da unidade e toda a água será drenada para fora.)

## INSTALAÇÃO

- Um ar condicionado amovível deverá ser instalado numa superfície plana e com espaço à volta. Não bloqueie a saída de ar e a distância necessária à volta deve ser, no mínimo, de 30cm.
- A cablagem da tomada deve cumprir os requisitos de segurança elétrica locais.



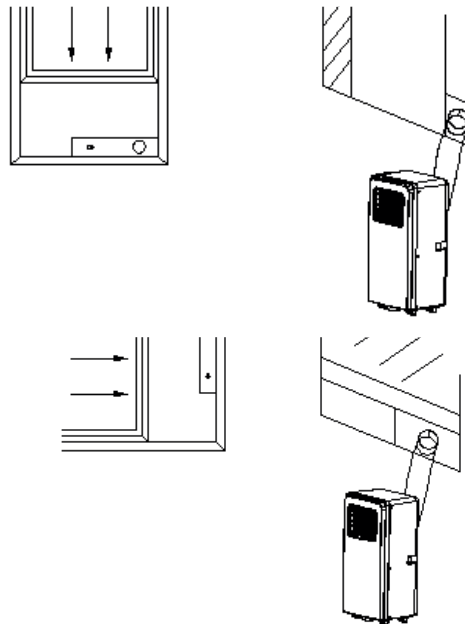
### Instalação do Bocal de Exaustão



- Dobre ambas as extremidades do bocal de exaustão no clipe de fixação quadrado e clipe de fixação plano.
- Insira o clipe de fixação quadrado nas aberturas na parte posterior do ar condicionado.
- Coloque a outra extremidade do bocal de exaustão no parapeito mais próximo.

### Instalação do Kit do Deslizador da Janela

O modo de instalação do kit do deslizador da janela é, principalmente, na "horizontal" e "vertical". Não existe muita diferença no processo real.



## MANUTENÇÃO DE LIMPEZA

- Antes de limpar, certifique-se de que desliga a unidade de todas as tomadas de alimentação elétrica.
- Primeiro, limpe a superfície com um detergente neutro e um pano molhado e, em seguida, limpe com um pano seco.
- Não use gasolina nem outros químicos para limpar a unidade.
- Não lave diretamente a unidade.
- Se o ar condicionado estiver danificado, contacte o revendedor ou oficina de reparação.

### Filtro de Ar

- Se o filtro de ar ficar obstruído com pó/sujidade, deverá ser limpo uma vez a cada duas semanas.
- Abra a grelha de entrada de ar e retire o filtro de ar.
- Limpe o filtro de ar com um detergente neutro e tépido 40°C e seque-o à sombra.
- Colocando o filtro de ar na grelha de entrada, volte a colocar os componentes como estão.

## RESOLUÇÃO DE PROBLEMAS

Problemas	Causas Possíveis	Soluções Sugeridas
A unidade não inicia quando prime o botão de alimentação	<ul style="list-style-type: none"> <li>• A lâmpada do indicador de água cheia pisca e o depósito de água está cheio.</li> <li>• A temperatura ambiente é superior à temperatura de definição. (Modo de aquecimento elétrico)</li> <li>• A temperatura ambiente é inferior à temperatura de definição. (Modo de arrefecimento)</li> </ul>	<ul style="list-style-type: none"> <li>• Retire a água do depósito de água.</li> <li>• Redefina a temperatura</li> <li>• Redefina a temperatura</li> </ul>

Problemas	Causas Possíveis	Soluções Sugeridas
A unidade não arrefece o suficiente	<ul style="list-style-type: none"> <li>• As portas ou janelas não estão fechadas.</li> <li>• Existem fontes de aquecimento na sala.</li> <li>• O bocal de ar de exaustão não está ligado ou está bloqueado.</li> <li>• A definição de temperatura é demasiado alta.</li> <li>• A entrada de ar está bloqueada.</li> </ul>	<ul style="list-style-type: none"> <li>• Certifique-se de que todas as janelas e portas estão fechadas.</li> <li>• Remova as fontes de calor se for possível!</li> <li>• Ligue ou limpe o bocal do ar de exaustão.</li> <li>• Redefina a temperatura</li> <li>• Limpe a entrada de ar.</li> </ul>
Desligamento Automático no modo de aquecimento	<ul style="list-style-type: none"> <li>• Proteção de aquecimento, quando a temperatura na saída de ar excede os 70°C, a unidade desliga automaticamente.</li> </ul>	<ul style="list-style-type: none"> <li>• Reinicie a unidade a uma temperatura ambiente suficientemente mais baixa.</li> </ul>
Ruído	<ul style="list-style-type: none"> <li>• O chão não está nivelado o suficiente</li> <li>• O som provém do fluxo do refrigerante no interior do ar condicionado</li> </ul>	<ul style="list-style-type: none"> <li>• Coloque a unidade numa superfície nivelada se possível</li> <li>• É normal.</li> </ul>
Código E0	<ul style="list-style-type: none"> <li>• O sensor de temperatura ambiente falhou</li> </ul>	<ul style="list-style-type: none"> <li>• Substitua o sensor de temperatura ambiente (a unidade também pode funcionar sem substituição.)</li> </ul>
Código E2	<ul style="list-style-type: none"> <li>• Depósito de água cheio</li> </ul>	<ul style="list-style-type: none"> <li>• Esvazie o depósito de água.</li> </ul>

PT

O produto ou equipamento contém gás de estufa fluorado.

Art.n.º AC-5474  
 Refrigerante: R290  
 Quantidade em kg: 0,10  
 Potencial de aquecimento global: 3

Art.n.º AC-5477  
 Refrigerante: R290  
 Quantidade em kg: 0,14  
 Potencial de aquecimento global: 3

Art.n.º AC-5527PR  
 Refrigerante: R290  
 Quantidade em kg: 0,14  
 Potencial de aquecimento global: 3

Art.n.º AC-5529  
Refrigerante: R290  
Quantidade em kg: 0,16  
Potencial de aquecimento global: 3

Art.n.º AC-5531  
Refrigerante: R290  
Quantidade em kg: 0,16  
Potencial de aquecimento global: 3

## GARANTIA

- Este produto tem uma garantia de 24 meses. A sua garantia é válida se o produto for usado de acordo com as instruções e para o fim para o qual foi criado. Além disso, a compra original (fatura, talão de vendas ou recibo) deverá ser apresentada com a data de compra, o nome do revendedor e o número do item do produto.
- Para obter as condições de garantia detalhadas, consulte o nosso website de serviço: [www.tristar.eu](http://www.tristar.eu)

## AMBIENTE



Este aparelho não deve ser colocado no lixo doméstico no final da respetiva vida útil e deve ser entregue num ponto central de reciclagem de aparelhos domésticos elétricos e eletrónicos. Este símbolo no aparelho, manual de instruções e embalagem foca esta questão importante. Os materiais usados neste aparelho podem ser reciclados. Ao reciclar aparelhos domésticos usados, está a contribuir muito para a proteção do nosso ambiente. Solicite informações às suas autoridades locais relativamente ao ponto de recolha.

## SUPORTE

Pode encontrar todas as informações disponíveis e peças sobressalentes em <http://www.tristar.eu>

## INSTRUKCJE DOTYCZĄCE BEZPIECZEŃSTWA

- Celem zapewnienia właściwego montażu, użytkowania i konserwacji urządzenia prosimy uważnie zapoznać się treścią niniejszej instrukcji obsługi.
- Urządzenie przeznaczone jest wyłącznie do użytku wewnątrz pomieszczeń.
- Urządzenia nie wolno podłączać do niewłaściwie zamontowanego gniazda elektrycznego
- Urządzenia nie wolno użytkować w następujących warunkach:
  - o W pobliżu źródeł ognia.
  - o miejscu, gdzie występuje możliwość rozprysku oleju.
  - o W miejscu narażonym na bezpośrednie działanie promieni słonecznych.
  - o W miejscu, gdzie występuje możliwość rozprysku wody.
  - o W pobliżu wanny kąpielowej, prysznic, basenu kąpielowego lub w pralni.
- Do otworów wylotowych powietrza nie wolno wkładać palców ani prętów. Należy dopilnować, by dzieci przestrzec przed wspomnianymi zagrożeniami.
- Podczas transportu i składowania urządzenie należy utrzymywać w pozycji pionowej, co zapewni właściwe działanie sprężarki.
- Przed przystąpieniem do czyszczenia klimatyzatora należy zawsze go wyłączyć oraz wyjąć wtyczkę z gniazda zasilającego.
- Przenosząc klimatyzator w inne miejsce należy zawsze go wyłączyć oraz wyjąć wtyczkę z gniazda zasilającego. Urządzenie należy przenosić powoli.
- Celem niedopuszczenia do pożaru klimatyzatora nie wolno nakrywać żadnym materiałem.
- Gniazdo elektryczne, do którego klimatyzator jest podłączony, musi spełniać wymogi lokalnych przepisów dotyczących zabezpieczeń elektrycznych. W razie konieczności prosimy sprawdzić wymogi wspomnianych przepisów.
- Dzieciom należy zapewnić nadzór, aby nie używały urządzenia do zabawy.
- W razie uszkodzenia kabla zasilającego, jego wymiany może dokonać producent, serwisant lub osoba o podobnych kwalifikacjach, dzięki czemu nie dopuści się do zagrożenia porażenia prądem elektrycznym.
- Z urządzenia mogą korzystać dzieci w wieku powyżej 8 lat oraz osoby o ograniczonych możliwościach fizycznych, czuciowych i umysłowych, lub którym brak doświadczenia i wiedzy, o ile działają pod nadzorem lub przeszkolono je w zakresie użytkowania urządzenia w bezpieczny sposób i rozumieją związane z tym zagrożenia. Dzieciom nie wolno używać urządzenia do zabawy. Czyszczenia i konserwacji urządzenia nie mogą dokonywać dzieci bez nadzoru.
- Urządzenie musi być zainstalowane zgodnie z krajowymi przepisami elektrycznymi.
- Uwagi:
  - o W przypadku uszkodzenia któregośkolwiek elementu urządzenia należy zwrócić się o pomoc do sprzedawcy lub wyznaczonego punktu serwisowego;
  - o W przypadku uszkodzenia urządzenia należy je wyłączyć, wyjąć wtyczkę z gniazda zasilającego, po czym skontaktować się ze sprzedawcą lub wyznaczonym punktem serwisowym;
  - o W każdym przypadku kabel zasilający musi być właściwie uziemiony;
  - o Celem niedopuszczenia do zagrożeń, w przypadku uszkodzenia kabla zasilającego urządzenie należy wyłączyć, a wtyczkę wyjąć z gniazda zasilającego; Wymianę kabla zasilającego należy zlecić sprzedawcy lub pracownikom wyznaczonego punktu serwisowego.

## UWAGA

- Nie używaj środków przyspieszających proces odszraniania lub czyszczenia, innych niż zalecane przez producenta.
- Urządzenie należy przechowywać w pomieszczeniu bez ciągle działających źródeł zapłonu (np.: otwarte płomienie, pracujące urządzenie gazowe lub włączony grzejnik elektryczny).
- Nie przekuwaj ani nie pal.
- Należy pamiętać, że czynniki chłodnicze mogą być bezwonne.
- Urządzenie musi być zainstalowane, obsługiwane i przechowywane w pomieszczeniu o powierzchni podłogi większej niż X m<sup>2</sup>. (X=4 dla 5000Btu/h, 7000Btu/h, 8000Btu/h; X=7.7 dla 9000Btu/h, 10000Btu/h, 10500Btu/h)
- Skontaktuj się z autoryzowanym serwisantem w celu naprawy lub konserwacji tego urządzenia.
- Nie ciągnij, nie deformuj, nie modyfikuj kabla zasilającego i nie zanurzaj go w wodzie. Ciągnięcie lub niewłaściwe użytkowanie przewodu zasilającego może spowodować uszkodzenie urządzenia i spowodować porażenie prądem.
- Należy przestrzegać krajowych przepisów dotyczących gazu.
- Nie zastawiaj otworów wentylacyjnych.
- Każda osoba, która pracuje z obiegiem czynnika chłodniczego lub wykonuje podłączenia, powinna posiadać aktualny, ważny certyfikat wydany

przez branżowy organ oceniający, który uznaje kompetencje bezpiecznego stosowania czynników chłodniczych zgodnie z uznaną branżową specyfikacją oceny .

- Serwisowanie powinno być wykonywane zgodnie z zaleceniami producenta sprzętu. Konserwacja i naprawa wymagająca pomocy innego wykwalifikowanego personelu odbywa się pod nadzorem osoby kompetentnej w stosowaniu łatwopalnych czynników chłodniczych.
- Nie używaj ani nie zatrzymuj urządzenia przez włożenie lub wyciągnięcie wtyczki, może to spowodować porażenie prądem lub pożar spowodowany wytwarzaniem ciepła.
- Wyciągnij wtyczkę z kontaktu, jeśli z urządzenia dochodzą dziwne dźwięki, zapach lub wydobywa się dym.



**UWAGA**

Szczegółowe informacje dotyczące urządzeń z gazem chłodniczym R 290.

- Dokładnie przeczytaj wszystkie ostrzeżenia.
- Podczas odszraniania i czyszczenia urządzenia nie używaj narzędzi innych niż zalecane przez producenta.
- Urządzenie należy umieścić w pomieszczeniu bez ciągle działających źródeł zapłonu (np.: otwarte płomienie, pracujące urządzenie gazowe lub elektryczne).
- Nie przekłuwaj i nie pal.
- Urządzenie musi być zainstalowane, obsługiwane i przechowywane w pomieszczeniu o powierzchni podłogi większej niż X m<sup>2</sup>. (X=4 dla 5000Btu/h, 7000Btu/h, 8000Btu/h; X=7.7 dla 9000Btu/h, 10000Btu/h, 10500Btu/h)
- To urządzenie zawiera Y g (patrz: tabliczka znamionowa z tyłu urządzenia) gazu chłodniczego R290.
- R290 to gaz chłodniczy zgodny z europejskimi dyrektywami dotyczącymi środowiska. Nie przewidziano żadnej części obiegu chłodzącego.
- Jeśli urządzenie jest zainstalowane, obsługiwane lub przechowywane w niewentylowanym pomieszczeniu, pomieszczenie musi być zaprojektowane w taki sposób, aby zapobiec gromadzeniu się wycieków czynnika chłodniczego, co grozi pożarem lub wybuchem spowodowanym

- zapłonem czynnika chłodniczego przez elektryczne nagrzewnice, piece lub inne źródła zapłonu.
- Urządzenie musi być przechowywane w taki sposób, aby zapobiec awarii mechanicznej.
  - Osoby, które obsługują lub pracują z obiegiem czynnika chłodniczego powinny posiadać odpowiedni certyfikat wydany przez akredytowaną organizację, który uznaje kompetencje obchodzenia się z czynnikami chłodniczymi zgodnie z określoną oceną uznaną przez stowarzyszenia branżowe.
  - Naprawy muszą być wykonywane na podstawie zalecenia producenta. Konserwacja i naprawa wymagająca pomocy innego wykwalifikowanego personelu musi się odbywać pod nadzorem osoby kompetentnej w stosowaniu łatwopalnych czynników chłodniczych.

PL

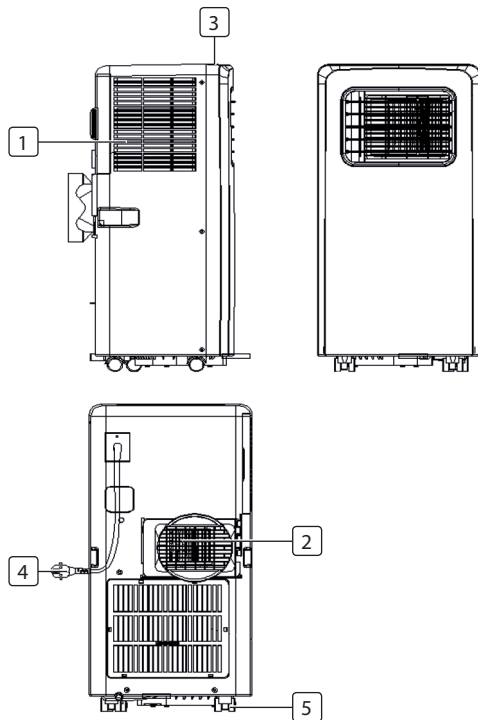
**CZYNNIK CHŁODNICZY**

(CE) N 842/2006: Ten klimatyzator zawiera czynnik chłodniczy R290. Ilość czynnika chłodniczego jest mniejsza niż 1 kg i znajduje się w zamkniętym obiegu chłodzenia. Chłodziwo ma zerowy potencjał wyczerpywania się ozonu, ale jest tzw. gazem cieplarnianym w ramach protokołu z Kioto i może z tego powodu przyczynić się do globalnego ocieplenia, jeśli zostanie uwolniony do atmosfery. Dlatego, tylko przeszkoleni technicy z certyfikatem chłodniczym napełniają lub opróżniają urządzenie. Czynnik chłodniczy w klimatyzatorze nie musi być dopełniany, jeśli klimatyzator używany jest właściwie i obieg chłodzący jest nieuszkodzony. GWP: R290:

3






## OPIS ELEMENTÓW URZĄDZENIA

1. Wlot powietrza
2. Wylot powietrza
3. Panel sterowania
4. Kabel zasilający
5. Kółko samonastawne



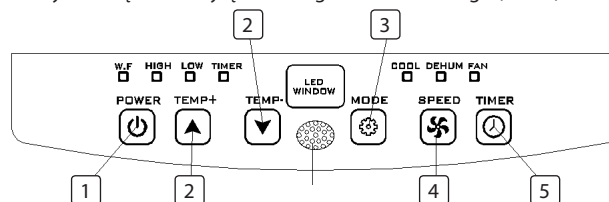


## AKCESORIA

Element	Opis
	Elastyczna rura wylotowa
	Złączka rurowa (po stronie okna)
	Złączka rurowa (po stronie klimatyzatora)
	Zestaw okienny
	Pilot zdalnego sterownia

## FUNKCJE PANELU STEROWANIA

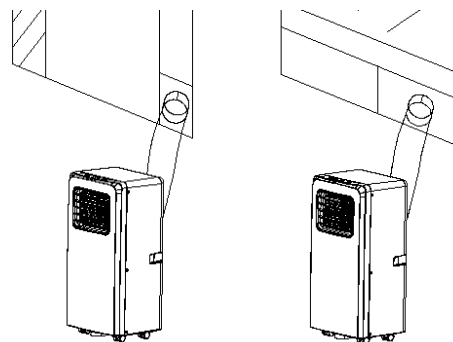
1. Przycisk zasilania (Power)
2. Przyciski regulacji temperatury (Temperature)
3. Przycisk trybu roboczego (Mode)
4. Przycisk regulacji prędkości wentylatora (Fan speed)
5. Przycisk włączenia/wyłączenia regulatora czasowego (Timer)



## PRZED PIERWSZYM UŻYCIEM

**Przed przystąpieniem do działań opisanych w tym rozdziale należy:**

- Znaleźć miejsce w pobliżu gniazda zasilającego.
- Zamontować elastyczną rurę wylotową i właściwie ustawić okno.



- Wtyczkę kabla zasilającego włożyć do uziemionego gniazda prądu zmiennego 220~240V/50Hz;
- Nacisnąć przycisk zasilania POWER, co spowoduje włączenie klimatyzatora.
- Zakres temperatury roboczej: 18°C - 35°C
- Sprawdzić prawidłowe zamontowanie rury wylotowej.
- Korzystając z funkcji chłodzenia lub osuszania, pomiędzy kolejnymi naciśnięciami przycisku POWER należy poczekać co najmniej 3 minuty.

## UŻYTKOWANIE

### Chłodzenie

- Należy nacisnąć przycisk „Mode”, aż na wyświetlaczu pojawi się ikona „Cool”;
- Naciskając przycisk ▲ lub ▼ ustawić żadaną temperaturę w pomieszczeniu. (16°C-31°C)
- Naciskając przycisk „Fan Speed” ustawić prędkość nadmuchu powietrza.

### Osuszanie

- Nacisnąć przycisk „Mode”, aż kontrolka osuszania („Dehum.”) zacznie migać
- Temperatura zostaje automatycznie ustawiona na wartość 2°C poniżej aktualnej temperatury w pomieszczeniu. (16°C-31°C)
- Prędkość wentylatora zostaje automatycznie ustawiona na wartość „LOW” (mała).

### Wentylator

- Należy nacisnąć przycisk „Mode”, aż na wyświetlaczu pojawi się ikona „Fan”.
- Naciskając przycisk „Fan Speed” ustawić prędkość nadmuchu powietrza.

## Regulator czasowy

### Ustawienie WŁĄCZENIA regulatora czasowego

- Gdy klimatyzator jest WYŁĄCZONY, należy nacisnąć przycisk „Timer”, oraz przyciskami regulacji temperatury i czasu ustawić żądany czas włączenia urządzenia.
- Na panelu sterowania pojawi się komunikat „Preset ON Time”.
- Czas włączenia można w dowolnej chwili zmienić w zakresie 0-24 godzin.

### Ustawienie WYŁĄCZENIA regulatora czasowego

- Gdy klimatyzator jest WŁĄCZONY, należy nacisnąć przycisk „Timer”, oraz przyciskami regulacji temperatury i czasu ustawić żądany czas wyłączenia urządzenia.
- Na panelu sterowania pojawi się komunikat „Preset OFF Time”.
- Czas wyłączenia można w dowolnej chwili zmienić w zakresie 0-24 godzin.

### Ciągły drenaż

- Na dłuższy okres, w którym nie będą Państwo korzystać z urządzenia, gumową zatyczkę otworu drenażowego w dolnej części klimatyzatora należy zdjąć, a do dolnego zacisku podłączyć rurkę drenażową. Cała woda zbierająca się z zbiorniku wyleje się na zewnątrz.
- W przypadku uszkodzenia pompy wodnej można zastosować ciągły drenaż, a w takiej sytuacji pompa wodna nie będzie uruchamiana. Urządzenie pracować będzie bez przeszkód.
- W przypadku uszkodzenia pompy wodnej można również zastosować drenaż przerywany. W takiej sytuacji, gdy zapali się kontrolka sygnalizująca napełnienie zbiornika wody, do dolnego zacisku należy podłączyć rurkę drenażową.

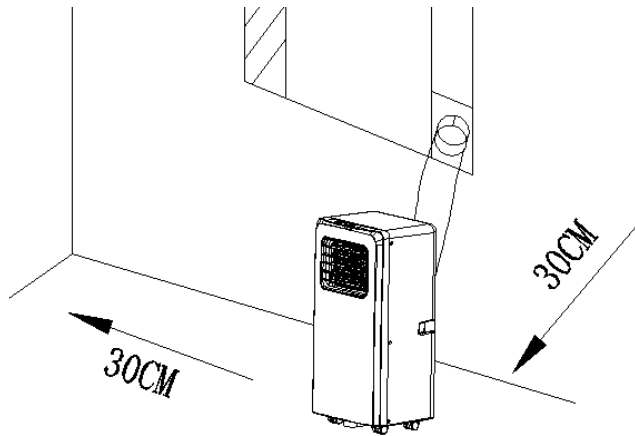
### Funkcja alarmu w przypadku napełnienia wewnętrznego zbiornika wody

Wewnętrzny zbiornik wody wyposażony jest z wyłącznik bezpieczeństwa, który steruje poziomem wody. W sytuacji, gdy poziom wody osiąga określoną wysokość, włącza się kontrolka sygnalizująca napełnienie

zbiornika. (W przypadku uszkodzenia pompy wodnej, i gdy zbiornik wody jest całkowicie napełniony, należy zdjąć gumową zatyczkę otworu drenażowego w dolnej części klimatyzatora, a woda wyleje się na zewnątrz.)

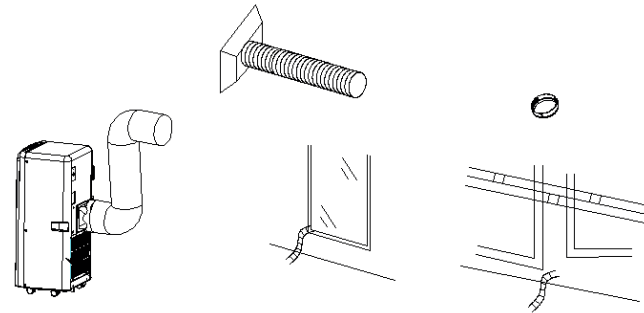
## MONTAŻ

- Przenośny klimatyzator należy zamontować na płaskim podłożu pozostawiając wokół niego co najmniej 30cm wolnej przestrzeni z każdej strony. Nie wolno blokować otworu wylotowego powietrza.
- Okablowanie elektrycznego gniazda zasilającego musi spełniać wymagania lokalnych przepisów elektroinstalacyjnych.



## Montaż rury wyciągowej

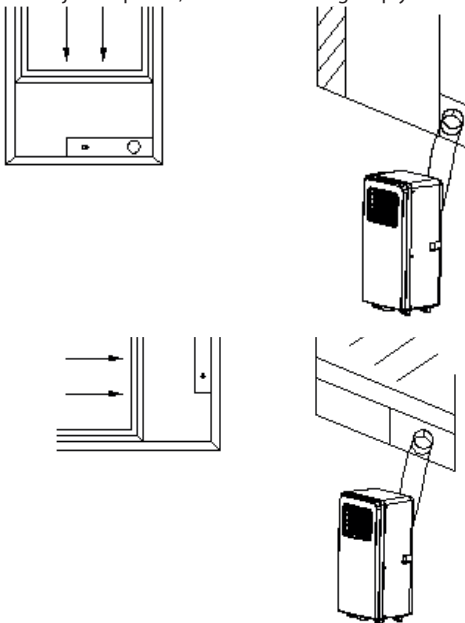
- Końcówki rury wyciągowej należy wkręcić odpowiednio do kwadratowego zacisku montażowego oraz płaskiego zacisku montażowego.
- Kwadratowy zacisk montażowy należy włożyć do otworów znajdujących się na tylnej ścianie klimatyzatora.
- Drugi koniec rury wyciągowej należy ustawić w pobliżu parapetu



PL

### Montaż zestawu w przesuwym skrzydle okiennym

Zestaw przesuwego skrzydła okiennego można montować zarówno, w poziomie jak i w pionie, nie ma to istotnego wpływu na sam montaż.



### CZYSZCZENIE I KONSERWACJA

- Przed przystąpieniem do czyszczenia urządzenie należy odłączyć od elektrycznego gniazda zasilającego.
- Obudowę należy czyścić wilgotną ściereczką używając neutralnego detergentu, a następnie przetrzeć suchą ściereczką.
- Do czyszczenia urządzenia nie należy stosować benzyny ani innych

związków chemicznych.

- Urządzenia nie wolno polewać wodą.
- W przypadku uszkodzenia klimatyzatora należy skontaktować się ze sprzedawcą lub punktem serwisowym.

### Filtr powietrza

- W przypadku zatkania filtra powietrza kurzem, należy go wyczyścić raz na dwa tygodnie.
- Należy otworzyć kratkę wlotu powietrza i wyjąć filtr powietrza.
- Filtr powietrza należy umyć w ciepłej wodzie 40°C z dodatkiem neutralnego detergentu, po czym pozostawić do wyschnięcia w zacienionym miejscu.
- Po wyschnięciu filtr powietrza należy ponownie nałożyć na kratkę wlotową, po czym zamontować te elementy na swoim miejscu.

### WYKRYWANIE I USUWANIE USTEREK

Usterka	Możliwe przyczyny	Sugerowane działania naprawcze
W chwili naciśnięcia przycisku zasilania urządzenie nie włącza się	<ul style="list-style-type: none"> <li>• Kontrolka naświetlenia zbiornika miga, zbiornik wody jest pełen.</li> <li>• Temperatura w pomieszczeniu jest wyższa od ustawionej. (Tryb ogrzewania elektrycznego)</li> <li>• Temperatura w pomieszczeniu jest niższa od ustawionej. (Tryb chłodzenia)</li> </ul>	<ul style="list-style-type: none"> <li>• Należy usunąć wodę ze zbiornika.</li> <li>• Należy ponownie ustawić temperaturę</li> <li>• Należy ponownie ustawić temperaturę</li> </ul>
Urządzenie nie chłodzi w wystarczającym stopniu	<ul style="list-style-type: none"> <li>• Drzwi lub okna nie są zamknięte.</li> <li>• W pomieszczeniu znajdują się źródła ciepła.</li> <li>• Rura wylotowa nie jest podłączona, lub jest zablokowana.</li> <li>• Temperaturę ustawiono na zbyt wysokim poziomie.</li> <li>• Zablokowany wlot powietrza.</li> </ul>	<ul style="list-style-type: none"> <li>• Należy zamknąć wszystkie okna i drzwi.</li> <li>• W miarę możliwości należy usunąć źródła ciepła.</li> <li>• Rurę wylotową należy podłączyć lub wyczyścić.</li> <li>• Należy ponownie ustawić temperaturę.</li> <li>• Należy wyczyścić otwór wlotowy powietrza.</li> </ul>

Samoczynne wyłączenie urządzenia w trybie ogrzewania	<ul style="list-style-type: none"> <li>Zabezpieczenie termiczne. W sytuacji, gdy temperatura u wylotu powietrza przekroczy 70°C urządzenie samoczynnie się wyłączy.</li> </ul>	<ul style="list-style-type: none"> <li>Urządzenie należy ponownie uruchomić przy niższej temperaturze w pomieszczeniu.</li> </ul>
Hałas	<ul style="list-style-type: none"> <li>Podłoże nie jest równe lub wystarczająco płaskie.</li> <li>Odgłos jest wynikiem przepływu czynnika chłodniczego wewnątrz klimatyzatora.</li> </ul>	<ul style="list-style-type: none"> <li>Urządzenie należy ustawić na płaskim i równym podłożu.</li> <li>Jest to zjawisko normalne.</li> </ul>
Kod E0	<ul style="list-style-type: none"> <li>Uszkodzenie czujnika temperatury w pomieszczeniu.</li> </ul>	<ul style="list-style-type: none"> <li>Należy wymienić czujnik temperatury w pomieszczeniu (urządzenie może również działać bez takiej wymiany).</li> </ul>
Kod E2	<ul style="list-style-type: none"> <li>Pełny zbiornik wody</li> </ul>	<ul style="list-style-type: none"> <li>Należy usunąć wodę ze zbiornika.</li> </ul>

Produkt lub urządzenie zawiera fluorowany gaz cieplarniany.

Nr art. AC-5474  
Chłodziwo: R290  
Ilość w kg: 0,10  
Współczynnik ocieplenia globalnego: 3

Nr art. AC-5477  
Chłodziwo: R290  
Ilość w kg: 0,14  
Współczynnik ocieplenia globalnego: 3

Nr art. AC-5527PR  
Chłodziwo: R290  
Ilość w kg: 0,14  
Współczynnik ocieplenia globalnego: 3

Nr art. AC-5529  
Chłodziwo: R290  
Ilość w kg: 0,16  
Współczynnik ocieplenia globalnego: 3

Nr art. AC-5531  
Chłodziwo: R290  
Ilość w kg: 0,16  
Współczynnik ocieplenia globalnego: 3

## GWARANCJA

- Niniejszy produkt objęty jest 24-miesięczną gwarancją. Gwarancja jest ważna, jeśli produkt jest używany zgodnie z instrukcjami i zgodnie z jego przeznaczeniem. Ponadto należy przedłożyć oryginalny dowód zakupu (faktura lub paragon) zawierający datę zakupu, nazwę sprzedawcy oraz numer katalogowy produktu.
- Szczegółowe warunki gwarancji znajdują się na naszej stronie internetowej: [www.tristar.eu](http://www.tristar.eu)

## ŚRODOWISKO



Urządzenia nie wolno wyrzucać wraz z odpadami domowymi, lecz należy je przekazać do centralnego punktu recyklingu domowych urządzeń elektrycznych i elektronicznych. Takie oznaczenie umieszczone na urządzeniu, w instrukcji obsługi oraz na opakowaniu zwraca uwagę tę ważną kwestię. Materiały zastosowane w tym urządzeniu można poddać recyklingowi. Recykling artykułów gospodarstwa domowego stanowi istotny wkład w ochronę środowiska naturalnego. Informacji na temat punktów zbiórki zużytych urządzeń należy zasięgnąć u lokalnych władz samorządowych.

## POMOC

Puede encontrar toda la información disponible y repuestos en <http://www.tristar.eu>  
Wszystkie dostępne informacje i części zamienne można znaleźć na stronie <http://www.tristar.eu>

## ISTRUZIONI IMPORTANTI PER LA SICUREZZA

- Leggere attentamente questo manuale d'uso per garantire uso, manutenzione e installazione corretti.
- L'apparecchio è destinato esclusivamente per uso all'interno.
- Non usare l'unità su una presa in riparazione o non installata correttamente
- Non usare l'unità, seguire queste precauzioni:
  - o Vicino a fonti d'incendio.
  - o In aree dove ci possono essere schizzi d'olio.
  - o In aree esposte alla luce solare diretta.
  - o In aree dove ci possono essere spruzzi d'acqua.
  - o Vicino a bagni, lavanderie, docce o piscine.
- Non inserire mai le dita né bastoni nell'uscita dell'aria. Prestare particolare attenzione nell'avvertire i bambini di questi pericoli.
- Mantenere l'unità rivolta verso l'alto durante il trasporto e la conservazione, in modo che il compressore sia alloggiato correttamente.
- Spegnerne sempre o scollegare il condizionatore d'aria dall'alimentazione elettrica prima di pulirlo.
- Quando si sposta il condizionatore, spegnerlo sempre, scollegare l'alimentazione elettrica e spostarlo delicatamente.
- Non coprire il condizionatore al fine di evitare possibili incendi.
- Tutte le prese del condizionatore devono essere conformi alle normative locali per la sicurezza elettrica. Se necessario, verificare tali normative.
- I bambini devono essere sorvegliati per assicurarsi che non giochino con il prodotto.
- Se il cavo di alimentazione è danneggiato, farlo sostituire dal produttore, dall'agente addetto all'assistenza o altro tecnico qualificato per evitare pericoli.
- Questo apparecchio può essere usato da bambini dagli 8 anni in su e da persone con ridotte capacità fisiche, sensoriali o mentali o che manchino di esperienza e di conoscenza, se hanno ricevuto la supervisione o istruzioni riguardo all'uso dell'apparecchio in modo sicuro e comprendono gli eventuali pericoli. I bambini non devono giocare con l'apparecchio. La pulizia e la manutenzione a carico dell'utente non devono essere effettuate da bambini senza supervisione.
- Installare l'apparecchio secondo la normativa locale per il collegamento elettrico
- Note:
  - o In caso di danni alle parti, contattare il rivenditore o un centro di riparazione autorizzato;
  - o In caso di danni, spegnere l'interruttore dell'aria, scollegare l'alimentazione elettrica e contattare il rivenditore o un centro di assistenza autorizzato;
  - o In ogni caso il cavo di alimentazione deve essere dotato di messa a terra.
  - o Per evitare eventuali pericoli, se il cavo di alimentazione è danneggiato, spegnere l'interruttore dell'aria e scollegare l'alimentazione elettrica. Deve essere sostituito dal rivenditore o da un centro di assistenza autorizzato.

**AVVERTENZA**

- Non utilizzare mezzi per accelerare il processo di sbrinamento o per la pulizia, diversi da quelli raccomandati dal fabbricante.
- L'apparecchio deve essere conservato in un locale privo di fonti di ignizione in continuo funzionamento (per esempio: fiamme libere, un apparecchio a gas in funzione o un riscaldatore elettrico in funzione).
- Non forare o bruciare.
- Prestare attenzione al fatto che i refrigeranti potrebbero non avere alcun odore.
- L'apparecchio deve essere installato, utilizzato e conservato in un locale con un'area calpestabile superiore a X m<sup>2</sup>. (X=4 per 5000Btu/h, 7000Btu/h, 8000Btu/h; X=7,7 per 9000Btu/h, 10000Btu/h, 10500Btu/h)
- Contattare un tecnico di assistenza autorizzato per la riparazione o la manutenzione di questa unità.
- Non tirare, deformare o modificare il cavo di alimentazione né immergerlo in acqua. Tirare il cavo di alimentazione o utilizzarlo in modo improprio può danneggiare l'unità e provocare uno shock elettrico.
- Occorre conformarsi alle normative nazionali in materia di gas.
- Mantenere le aperture di ventilazione libere da qualsiasi ostruzione.
- Qualsiasi persone che opera o interviene sul

- circuito refrigerante deve essere in possesso di un valido certificato rilasciato da un'autorità di valutazione accreditata dal settore, che autorizza la competenza a manipolare refrigeranti in modo sicuro conformemente con la specifica di valutazione riconosciuta dal settore.
- L'assistenza deve essere realizzata esclusivamente secondo quanto raccomandato dal fabbricante dell'apparecchiatura. La manutenzione e la riparazione che richiedono l'assistenza da parte di personale qualificato devono essere eseguite sotto la supervisione di una persona competente nell'uso di refrigeranti infiammabili.
- Non mettere in funzione o arrestare l'unità inserendo o staccando la spina dalla presa elettrica, questo potrebbe causare shock elettrico o un incendio dovuto alla generazione di calore.
- Scollegare l'unità dall'alimentazione elettrica se si avvertono strani suoni, cattivo odore o se fuoriesce fumo dall'unità.



## AVVERTENZA

Informazioni specifiche concernenti gli apparecchi con gas refrigerante R 290.

- Leggere attentamente tutte le avvertenze.
- Quando si sbrina o si pulisce l'apparecchio, non utilizzare nessuno strumento diverso da quello raccomandato dall'azienda produttrice.
- L'apparecchio deve essere posizionato in un'area senza fonti continue di ignizione (per esempio: fiamme libere, apparecchi a gas o elettrici in funzione).
- Non forare né bruciare.
- L'apparecchio deve essere installato, utilizzato e conservato in un locale con un'area calpestabile superiore a X m<sup>2</sup>. (X=4 per 5000Btu/h, 7000Btu/h, 8000Btu/h; X=7,7 per 9000Btu/h, 10000Btu/h, 10500Btu/h)
- L'apparecchio contiene Y g (vedere la targhetta identificativa sul retro dell'unità) di gas refrigerante R290.
- R290 è un gas refrigerante conforme con le direttive Europee in materia di protezione dell'ambiente. Non forare alcuna parte del circuito refrigerante.
- Se l'apparecchio viene installato, utilizzato o conservato in un'area sprovvista di un'idonea ventilazione, il locale deve essere concepito al fine di prevenire che l'accumulo di perdite di refrigerante si traduca nel rischio di incendio o di esplosione dovuto all'ignizione del refrigerante

causata da riscaldatori elettrici, stufe o altre fonti di ignizione.

- L'apparecchio deve essere conservato in modo tale da prevenire il guasto meccanico.
- Le persone che utilizzano o lavorano sul circuito refrigerante devono essere in possesso di un idoneo certificato emesso da un'organizzazione accreditata, che garantisce la competenza nella manipolazione dei refrigeranti in conformità con una valutazione specifica riconosciuta dalle associazioni nel settore.
- Le riparazioni devono essere eseguite in base alle raccomandazioni fornite dall'azienda produttrice. La manutenzione e le riparazioni che richiedono l'assistenza da parte di altro personale qualificato devono essere eseguite sotto la supervisione di una persona competente nell'uso di refrigeranti infiammabili.

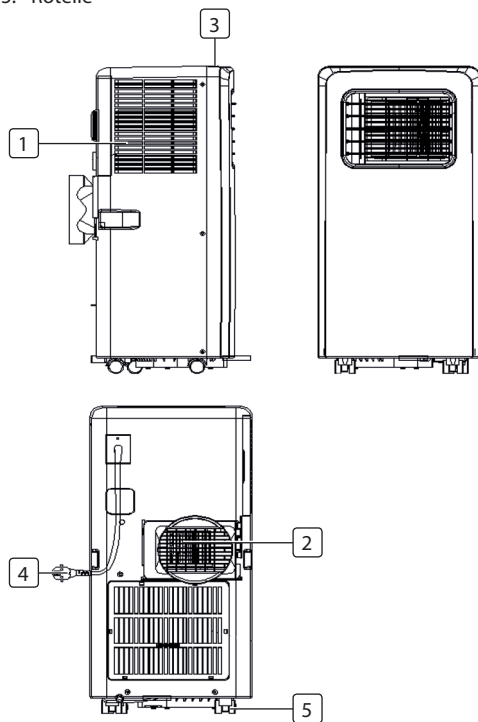
## REFRIGERANTE

(CE) N 842/2006: Il presente condizionatore d'aria contiene il refrigerante R290. La quantità di refrigerante è inferiore a 1 kg e si trova all'interno di un circuito di raffreddamento chiuso. Il refrigerante ha un potenziale di eliminazione dell'ozono pari a zero, ma è un così detto gas serra secondo il Protocollo di Kyoto e potrebbe quindi contribuire al surriscaldamento globale, se rilasciato nell'atmosfera. Di conseguenza, solo tecnici addestrati in possesso di un certificato refrigerante possono occuparsi del riempimento o dello svuotamento. Il vostro condizionatore non deve essere riempito con refrigerante se viene utilizzato correttamente e se il circuito refrigerante non è danneggiato. GWP: R290: 3








## DESCRIZIONE PARTI

1. Ingresso aria
2. Uscita aria
3. Pannello di comando
4. Cavo di alimentazione
5. Rotelle

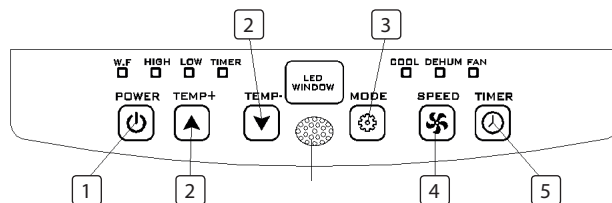


## ACCESSORI

Parte	Descrizione
	Tubo di uscita dell'aria
	Connettore del tubo (lato finestra)
	Connettore del tubo (lato condizionatore)
	Kit per finestre
	Telecomando

## FUNZIONI DEL PANNELLO COMANDI

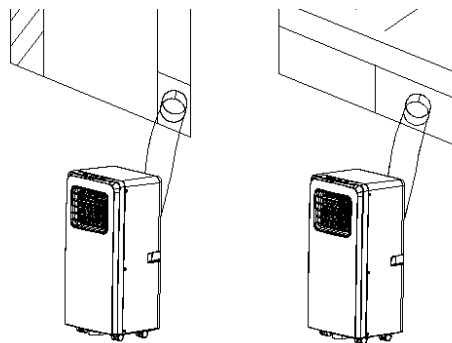
1. Tasto Power
2. Tasti Temperature
3. Tasto Mode
4. Tasto Fan speed per regolazione ventole
5. Tasto Timer on/off



## PRIMA DEL PRIMO UTILIZZO

**Prima di iniziare le operazioni descritte in questa sezione:**

- Trovare un logo vicino all'alimentazione elettrica.
- Installare il tubo di scarico e regolare bene la posizione della finestra.



- Inserire il cavo di alimentazione in una presa di corrente CA 220~240V/50Hz dotata di messa a terra;
- Premere il tasto POWER per accendere il condizionatore.
- Intervallo della temperatura di esercizio: 18°C - 35°C
- Verificare che il tubo di scarico sia stato montato correttamente.
- Quando si usano le funzioni su raffreddamento e deumidificazione, mantenere un intervallo di almeno 3 minuti tra ogni POWER.

## USO

### Raffreddamento

- Premere il tasto "Mode" finché non compare l'icona "Cool".
- Premere il tasto ▲ o ▼ per selezionare la temperatura ambiente desiderata (16°C-31°C)
- Premere il tasto "Fan Speed" per selezionare la velocità della ventola.

### Deumidificazione

- Premere il tasto "Mode" finché la spia "Dehumidify" lampeggia
- Impostare automaticamente la temperatura selezionata alla temperatura ambiente corrente meno 2°C. (16°C-31°C)
- Impostare automaticamente il motore della ventola alla velocità BASSA.

### Ventole

- Premere il tasto "Mode" finché compare l'icona "Fan".
- Premere il tasto "Fan Speed" per selezionare la velocità della ventola.

### Uso del timer

#### Impostazione accensione timer

- Quando il condizionatore è SPENTO, premere il tasto "Timer" e selezionare un'ora di accensione desiderata utilizzando i tasti di impostazione della temperatura e dell'ora.
- "Preset ON Time" è visualizzato sul pannello comandi.
- L'accensione può essere regolata in qualsiasi momento tra 0-24 ore.

#### Impostazione SPEGNIMENTO timer

- Quando il condizionatore è ACCESO, premere il tasto "Timer" e selezionare l'ora di spegnimento desiderata utilizzando i tasti di impostazione della temperatura e dell'ora.
- "Preset OFF Time" è visualizzato sul pannello comandi.
- Lo spegnimento può essere regolato in qualsiasi momento tra 0-24 ore.

#### Drenaggio continuo

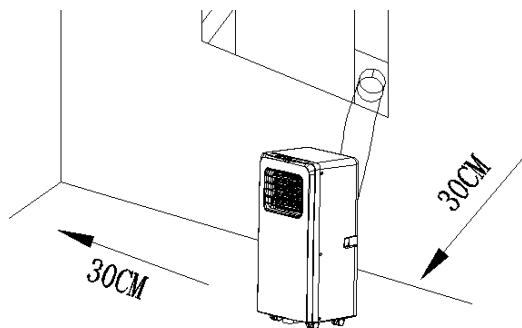
- Quando si pensa di non usare l'unità per un lungo periodo, rimuovere il bloccaggio in gomma dal foro di drenaggio alla base dell'unità e collegare un tubo di drenaggio alla clip di fissaggio inferiore. Tutta l'acqua nel serbatoio sarà drenata all'esterno.
- Se la pompa dell'acqua è danneggiata, è possibile usare il drenaggio continuo e, in questa condizione la pompa dell'acqua non viene attivata. L'unità può lavorare bene ugualmente.
- Se la pompa dell'acqua è danneggiata, è anche possibile usare il drenaggio intermittente. In questa condizione, quando l'indicatore "pieno acqua" si accende, collegare un tubo di drenaggio alla clip di fissaggio inferiore.

#### Funzione allarme serbatoio interno pieno

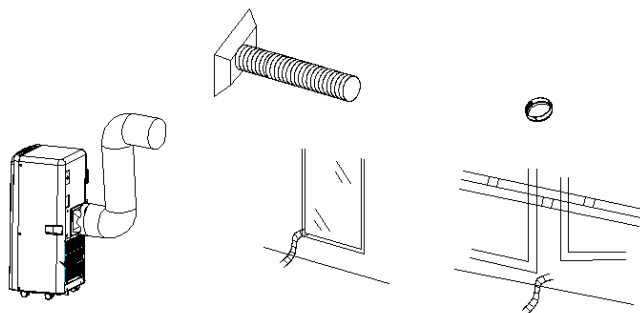
Il serbatoio interno del condizionatore è dotato di un dispositivo di sicurezza del livello dell'acqua che controlla il livello dell'acqua. Quando il livello dell'acqua raggiunge una determinata altezza la spia "pieno acqua" si accende. (Se la pompa dell'acqua è danneggiata, in caso di pieno acqua, rimuovere il bloccaggio in gomma alla base dell'unità e tutta l'acqua sarà drenata all'esterno.)

## INSTALLAZIONE

- Un condizionatore portatile deve essere installato in un ambiente vuoto e su superficie piana, con spazio tutto intorno. Non bloccare le uscite dell'aria ed osservare un'area di rispetto di almeno 30 cm.
- Il cablaggio della presa deve essere fatto secondo le normative locali sulla sicurezza elettrica.



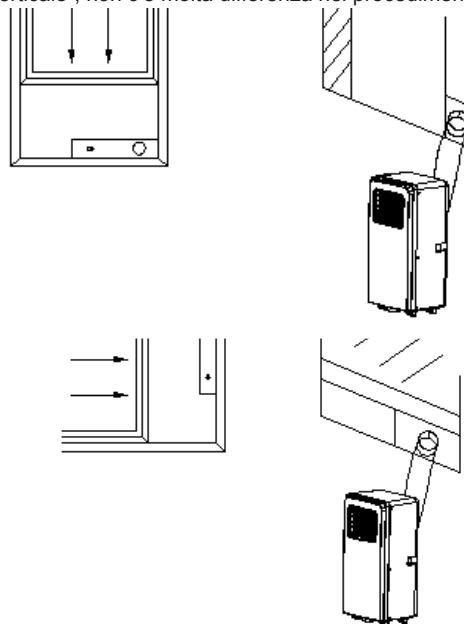
Installazione del tubo di scarico



- Ruotare entrambe le estremità del tubo di scarico nella clip di fissaggio quadrata e nella clip di fissaggio piatta.
- Inserire la clip di fissaggio quadrata nelle apertura sulla parte posteriore del condizionatore.
- Inserire l'altra estremità del tubo di scarico nel davanzale vicino.

### Installazione del kit per finestre

La modalità di installazione del kit per finestre è in "orizzontale" e in "verticale", non c'è molta differenza nel procedimento.



## PULIZIA E MANUTENZIONE

- Prima della pulizia, assicurarsi di scollegare l'unità da qualsiasi presa elettrica.
- Pulire prima la superficie con un detergente neutro ed un panno umido, e poi asciugare con un panno asciutto.
- Non usare benzina o altre sostanze chimiche per pulire l'unità.
- Non lavare l'unità direttamente.
- Se il condizionatore è danneggiato, contattare il rivenditore o un centro assistenza.

### Filtro aria

- Se il filtro dell'aria è intasato da polvere/sporcizia il filtro dell'aria deve essere pulito una volta ogni due settimane.
- Aprire la griglia dell'ingresso dell'aria ed estrarre il filtro dell'aria.
- Pulire il filtro dell'aria con un detergente neutro in acqua tiepida 40°C e lasciarlo asciugare all'ombra.
- Inserendo il filtro dell'aria nella griglia, riposizionare le parti com'erano.

## RICERCA GUASTI

Problemi	Possibili cause	Rimedi consigliati
L'unità non si accende quando si preme il tasto di accensione	<ul style="list-style-type: none"> <li>• La spia "pieno acqua" lampeggia ed il serbatoio dell'acqua è pieno.</li> <li>• La temperatura ambiente è più alta della temperatura impostata. (Modalità riscaldamento elettrico)</li> <li>• La temperatura ambiente è più bassa della temperatura impostata. (Modalità raffreddamento)</li> </ul>	<ul style="list-style-type: none"> <li>• Scaricare l'acqua dal serbatoio.</li> <li>• Resettare la temperatura</li> <li>• Resettare la temperatura</li> </ul>

Problemi	Possibili cause	Rimedi consigliati
L'unità non raffredda abbastanza	<ul style="list-style-type: none"> <li>• Le porte o le finestre non sono chiuse.</li> <li>• Ci sono fonti di calore all'interno della stanza.</li> <li>• Il tubo dell'aria non è collegato o è bloccato.</li> <li>• L'impostazione della temperatura è troppo alta.</li> <li>• L'ingresso dell'aria è bloccato.</li> </ul>	<ul style="list-style-type: none"> <li>• Assicurarsi che tutte le finestre e le porte siano chiuse.</li> <li>• Se possibile, eliminare le fonti di calore</li> <li>• Collegare o pulire il tubo dell'aria.</li> <li>• Resettare la temperatura</li> <li>• Pulire l'ingresso dell'aria.</li> </ul>
Spegnimento automatico in modalità riscaldamento	<ul style="list-style-type: none"> <li>• Protezione da surriscaldamento; quando la temperatura all'uscita dell'aria supera i 70°C, l'unità si spegnerà automaticamente.</li> </ul>	<ul style="list-style-type: none"> <li>• Riavviare l'unità ad una temperatura sufficientemente più bassa.</li> </ul>
Rumoroso	<ul style="list-style-type: none"> <li>• Il pavimento non è abbastanza in piano</li> <li>• Il suono proviene dal flusso del refrigerante all'interno del condizionatore</li> </ul>	<ul style="list-style-type: none"> <li>• Posizionare l'unità su una superficie piana se possibile</li> <li>• È normale.</li> </ul>
Codice E0	<ul style="list-style-type: none"> <li>• Anomalia sensore temperatura ambiente</li> </ul>	<ul style="list-style-type: none"> <li>• Sostituire il sensore di temperatura ambiente (l'unità può lavorare anche senza sostituzione.)</li> </ul>
Codice E2	<ul style="list-style-type: none"> <li>• Serbatoio acqua pieno</li> </ul>	<ul style="list-style-type: none"> <li>• Svuotare il serbatoio dell'acqua.</li> </ul>

IT

Il prodotto o l'apparecchiatura contiene gas fluorati ad effetto serra.

Num. Articolo AC-5474  
 Refrigerante: R290  
 Quantità in kg: 0,10  
 Potenziale di riscaldamento globale:3

Num. Articolo AC-5477  
 Refrigerante: R290  
 Quantità in kg: 0,14  
 Potenziale di riscaldamento globale:3

Num. Articolo AC-5527PR  
 Refrigerante: R290  
 Quantità in kg: 0,14  
 Potenziale di riscaldamento globale:3

Num. Articolo AC-5529  
Refrigerante: R290  
Quantità in kg: 0,16  
Potenziale di riscaldamento globale:3

Num. Articolo AC-5531  
Refrigerante: R290  
Quantità in kg: 0,16  
Potenziale di riscaldamento globale:3

## GARANZIA

- Questo prodotto è coperto da una garanzia di 24 mesi. La garanzia è valida se il prodotto è usato secondo le istruzioni e per la finalità per la quale è stato creato. Inoltre l'acquisto originale, (fattura, scontrino o ricevuta) deve essere presentato con la data di acquisto, il nome del rivenditore ed il codice articolo del prodotto.
- Per le condizioni dettagliate della garanzia, visitare il nostro sito web di assistenza: [www.tristar.eu](http://www.tristar.eu)

## AMBIENTE



■ Questo apparecchio non deve essere smaltito con i rifiuti domestici alla fine del suo ciclo di vita, ma conferito presso un punto di raccolta per il riciclaggio di apparecchiature elettriche ed elettroniche. Questo simbolo sull'apparecchio, sul manuale d'uso e sulla confezione, richiama la vostra attenzione su questo importante problema. I materiali usati in questo apparecchio possono essere riciclati. Riciclando gli elettrodomestici usati date un importante contributo alla protezione dell'ambiente. Chiedere alle autorità locali informazioni relative ai punti di raccolta.

## ASSISTENZA

Potete trovare tutte le informazioni disponibili e ricambi alla pagina web <http://www.tristar.eu>

## SÄKERHETSINSTRUKTIONER

- Läs denna användarhandbok noggrant för att säkerställa korrekt användning, underhåll och.
- Denna utrustning är endast avsedd för användning inomhus.
- Använd inte enheten med ett eluttag som håller på att repareras eller som inte är installerat korrekt.
- Följ dessa försiktighetsåtgärder. Använd aldrig enheten i närheten av:
  - o en öppen eld.
  - o ett område där olja kan stänka.
  - o ett område som är utsatt för direkt solljus.
  - o ett område där vatten kan stänka.
  - o i närheten av badkar, tvättmaskin, dusch eller simbassäng.
- För aldrig in fingrar eller föremål i luftutloppet. Varna speciellt barn för dessa faror.
- Håll enheten upprätt under transport och förvaring, så att kompressorn sitter korrekt.
- Stäng alltid av eller koppla bort strömförsörjningen innan du rengör luftkonditioneraren.
- Stäng alltid av och koppla bort strömförsörjningen innan du flyttar luftkonditioneraren, och flytta den försiktigt.
- Täck inte över luftkonditioneraren, det kan orsaka brand.
- Alla eluttag för luftkonditioneraren måste uppfylla de lokala elsäkerhetskraven. Om nödvändigt, kontrollera att kraven uppfylls.
- Barn ska övervakas så att de inte leker med utrustningen.
- Om nätkabeln är skadad måste den bytas ut av tillverkaren, dess servicerepresentant eller liknande kvalificerade personer, för att undvika risker.
- Enheten kan användas av barn från 8 år och uppåt och personer med nedsatt fysisk, sensorisk eller mental förmåga eller brist på erfarenhet och kunskap om de övervakas eller får instruktioner angående användning av enheten på ett säkert sätt och förstår riskerna. Barn ska inte leka med utrustningen. Rengöring och underhåll ska inte utföras av barn om de inte övervakas.
- Utrustningen ska installeras i enlighet med nationella elinstallationsbestämmelser.
- Noteringar:
  - o Om någon del av utrustningen skadas, kontakta återförsäljaren eller en godkänd reparationsverkstad;
  - o Om skador uppstår, stäng av utrustningen, koppla bort strömförsörjningen och kontakta återförsäljaren eller en godkänd reparationsverkstad;
  - o Strömkabeln måste alltid vara ordentligt jordad.
  - o För att undvika risk för skador, stäng av utrustningen och koppla bort strömförsörjningen om strömkabeln skadas. Den måste ersättas av återförsäljaren eller en godkänd reparationsverkstad.

## VARNING

- Använd inga hjälpmedel för att snabba på avfrostningen eller för rengöring annat än som rekommenderas av tillverkaren.
- Apparaten skall förvaras i ett rum utan antändningskällor som är i kontinuerlig drift (exempelvis: öppna lågor, en gasapparat i drift eller en elektrisk värmare).
- Stick inte hål eller utsätt för brand.
- Var medveten om att kylmedel inte har någon lukt.
- Apparaten skall installeras, hanteras och förvaras i ett rum med en golvyta som är större än X m<sup>2</sup>. (X=4 för 5000Btu/h, 7000Btu/h, 8000Btu/h; X=7.7 for 9000Btu/h, 10000Btu/h, 10500Btu/h)
- Kontakta en auktoriserad servicetekniker för reparation eller underhåll av denna enhet.
- Dra inte i, deformera eller modifiera strömsladden eller sänk ned den i vatten. Att dra i eller missbruka strömsladden kan resultera i skador på enheten och orsaka elektriska stötar.
- Uppfyllelse av de nationella gasbestämmelserna måste iakttas.
- Se till att ventilationsöppningarna är fria.
- Alla personer som är involverade i arbete på eller inkörning av en kylmedelskrets skall ha ett aktuellt giltigt certifikat från en industriackrediterad bedömande myndighet som auktoriserar deras kompetens i hantering av kylmedel på ett säkert sätt i enlighet med en industrierkänd

värderingsspecifikation.

- Service skall endast utföras såsom rekommenderas av utrustningens tillverkare. Underhåll och reparationer som kräver assistans av annan kunnig personal skall utföras under övervakning av personen som är kompetent att använda lättantändliga kylmedel.
- Använd inte eller stoppa enheten genom att införa eller dra ut strömkontakten, det kan orsaka elektriska stötar eller brand på grund av den genererade hettan.
- Koppla ifrån enheten om de kommer konstiga ljud, lukt eller rök från apparaten.





**VARNING**

Specifik information beträffande apparaten med R 290 kylgas.

- Läs noga igenom alla varningar.
- Vid avfrostning eller rengöring av apparaten skall inga andra verktyg användas än de som rekommenderas av det tillverkande företaget.
- Apparaten måste placeras på en plats utan några kontinuerliga gnistkällor (exempelvis: öppna lågor, gas- eller elektriska apparater i drift).
- Stick inte hål eller utsätt för brand.
- Apparaten skall installeras, hanteras och förvaras i ett rum med en golvyta som är större än X m<sup>2</sup>. (X=4 för 5000Btu/h, 7000Btu/h, 8000Btu/h; X=7.7 för 9000Btu/h, 10000Btu/h, 10500Btu/h)
- Denna apparat innehåller Y g (se märketiketten på enheten) med R290 kylgas.
- R290 är en kylgas som uppfyller europeiska miljödirektiv. Punktera inte någon del av kylkretsen.
- Om apparaten installeras, används eller förvaras i ett icke-ventilerat område måste rummet vara beräknat för att förhindra ackumulering av kylmedelsläckage vilka resulterar i brandrisk eller explosion på grund av antändning av kylmedlet orsakade av elektriska värmare, gnistor från ugnar eller andra antändningskällor.
- Apparaten måste förvaras på ett sådant sätt att mekaniska fel förhindras.
- Personer som hanterar eller arbetar med

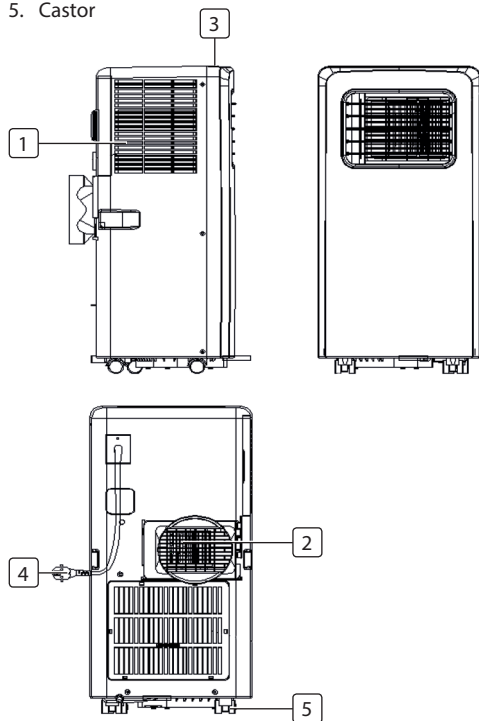
- kylkretsar måste ha lämplig certifiering utgiven av en ackrediterad organisation som garanterar kompetensen för hantering av kylmedel i enlighet med en specifik utvärdering som godkänts i förbindelse med industrin.
- Reparationer måste utföras baserat på rekommendationerna från det tillverkande företaget. Underhåll och reparationer som kräver assistans av annan kvalificerad personal måste utföras under övervakning av en person som är specificerad att använda lättantändliga kylmedel.

**KYLMEDEL**






(CE) N 842/2006: Denna luftkonditionering innehåller kylmedlet R290. Mängden kylmedel är mindre än 1 kg och finns i en sluten kylkrets. Kylmedlet har ingen potentiell påverkan på ozonlagret med är en så kallad växthusgas enligt Kyoto-protokollet och kan sålunda bidra till den globala uppvärmningen om den släpps ut i atmosfären. Därför skall endast utbildade tekniker med kylmedelscertifikat utföra påfyllningar och tömningar. Din luftkonditionering behöver inte återfyllas med kylmedel om den används korrekt och har en oskadad kylkrets. GWP: R290: 3

## BESKRIVNING AV DELARNA

1. Luftinlopp
2. Luftutlopp
3. Kontrollpanel
4. Strömkabel
5. Castor

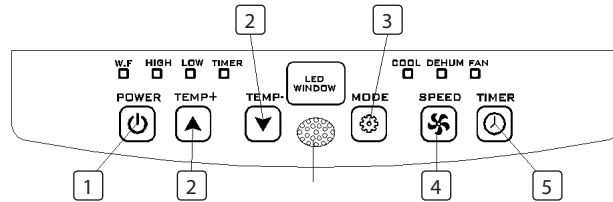


## TILLBEHÖR

Del	Beskrivning
	Slang för varmluftsutlopp
	Slanganslutning (fönsteräränd)
	Slanganslutning (luftkonditioner-äränd)
	Fönsterpaket
	Fjärrkontroll

## KONTROLLPANELENS FUNKTION

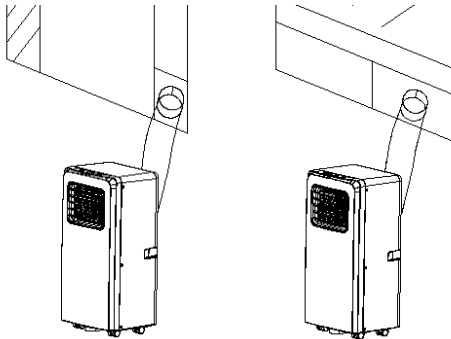
1. Power-knapp
2. Temperature-knappar
3. Mode-knapp
4. Fan speed-justeringsknapp
5. Timer på/av-knapp



## FÖRE FÖRSTA ANVÄNDNING

### Innan du påbörjar åtgärderna i detta avsnitt:

- Hitta en plats där det finns strömförsörjning i närheten.
- Installera utloppsslangen, och justera fönsterpositionen noggrant.



- Sätt i strömkabeln i ett jordat eluttag med 220~240 V/50 Hz AC;
- Tryck på POWER-knappen för att slå på luftkonditioneraren.
- Drifttemperaturintervall: 18 °C–35 °C
- Kontrollera att utloppsslangen har monterats korrekt.
- Om du växlar mellan funktionerna för kylning och avfuktning, vänta minst 3 minuter mellan varje gång du trycker på POWER-knappen.

## ANVÄNDNING

### Kylning

- Tryck på "Mode"-knappen tills ikonen "Cool" visas.
- Tryck på knappen ▲ eller ▼ för att välja önskad temperatur för rummet. (16°C–31°C)
- Tryck på knappen "Fan Speed" för att välja lufthastigheten.

### Avfuktningfunktionen

- Tryck på knappen "Mode" tills "Avfuktningsindikatorlampan" (DEHUM) blinkar
- Den valda temperaturen ställs automatiskt in på den aktuella rumstemperaturen minus 2°C. (16°C–31°C)
- Fläktmotorn ställs automatiskt in på lufthastigheten LÅG.

### Fläktfunktionen

- Tryck på knappen "Mode" tills ikonen "Fan" visas.
- Tryck på knappen "Fan Speed" för att välja lufthastigheten.

### Timerfunktionen

#### Timerns inställning PÅ

- När luftkonditioneraren är avstängd, tryck på knappen "Timer" och välj önskad påslagningstid med inställningsknapparna för temperatur och tid.
- "Preset ON Time" visas på driftpanelen.
- Påslagningstiden kan ställas in på valfri tid inom 0–24 timmar.

### Timerns inställning AV

- När luftkonditioneraren är påslagen, tryck på knappen "Timer" och välj önskad avstängningstid med inställningsknapparna för temperatur och tid.
- "Preset OFF Time" visas på driftpanelen.
- Avstängningstiden kan ställas in på valfri tid inom 0–24 timmar.

### Kontinuerlig dränering

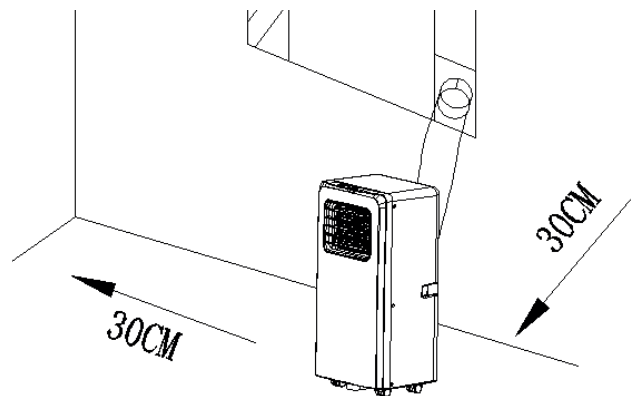
- Om du inte tänker använda enheten under en längre tid, ta bort gummilocket från dräneringshålet längst ner på enheten, och anslut en dräneringsslang till den undre fästklämman. Allt vatten i vattenbehållaren dräneras ut från enheten.
- Om vattenpumpen är skadad kan kontinuerlig dränering användas, och i denna situation aktiveras inte vattenpumpen. Enheten fungerar då normalt.
- Om vattenpumpen är skadad kan också periodisk dränering användas. I detta fall, anslut en dräneringsslang till den undre fästklämman när indikatorlampan för att vattenbehållaren är full tänds (W.F).

### Larmfunktion när den interna vattenbehållaren är full

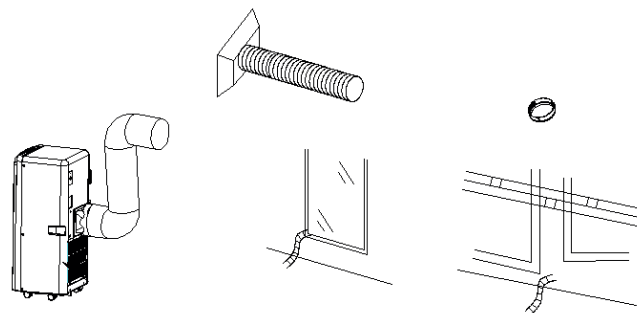
Den interna vattenbehållaren i luftkonditioneraren har en säkerhetsbrytare för vattennivån, som kontrollerar vattennivån. När vattennivån når en viss höjd tänds indikatorlampan för att vattenbehållaren är full (W.F). (Om vattenpumpen är skadad, ta bort gummilocket längst ner på enheten när vattenbehållaren är full, så dräneras allt vatten ut från enheten.)

### INSTALLATION

- Luftkonditioneraren ska installeras på en plan yta med fritt utrymme runt omkring. Blockera inte luftutloppet, och lämna minst 30 cm fritt utrymme runt om.
- Elledningarna ska följa de lokala elsäkerhetskraven.



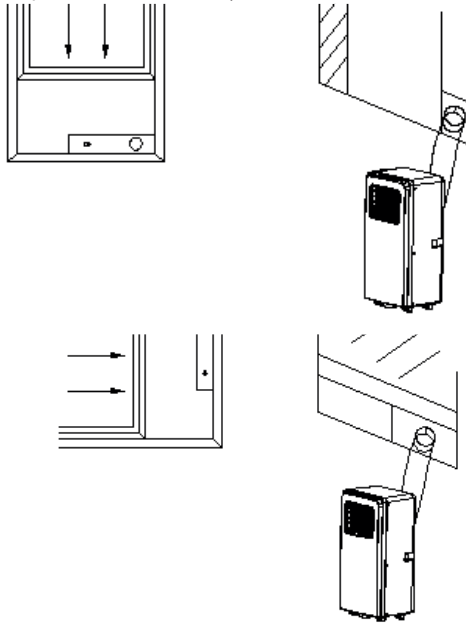
Installation av utloppsslangen



- För in båda ändarna av utloppsslangen i den fyrkantiga fästklämman och den platta fästklämman.
- För in den fyrkantiga fästklämman i öppningarna bak på luftkonditioneraren.
- Dra den andra änden av utloppsslangen till en fönsterkarm i närheten.

### Installation av fönsterpaket

Installationen av fönsterpaketet är framförallt "horisontellt" och "vertikalt", själva processen är annars mycket lika.



## UNDERHÅLLSRENGÖRING

- Innan du rengör enheten, koppla bort den från alla elektriska anslutningar.
- Rengör först höljet med ett neutralt rengöringsmedel och en fuktig trasa, och torka den sedan med en torr trasa.
- Använd inte bensin eller andra kemikalier för att rengöra enheten.
- Spola inte vatten direkt på enheten.
- Om luftkonditioneraren skadas, kontakta återförsäljaren eller en reparationsverkstad.

### Luftfilter

- Om luftfiltret sätts igen av smuts/damm, rengör det då varannan vecka.
- Öppna luftinloppets galler och ta bort luftfiltret.
- Rengör luftfiltret med ett neutralt rengöringsmedel i ljummet vatten 40 °C och låt det torka på en skuggig plats.
- Sätt luftfiltret i inloppsgallret, och sätt tillbaka alla delar på sin plats.

## FELSÖKNING

Problem	Möjliga orsaker	Förslag på lösningar
Enheten startar inte när jag trycker på strömknappen.	<ul style="list-style-type: none"> <li>• Indikatorlampan för att vattenbehållaren är full blinkar, och vattenbehållaren är full.</li> <li>• Rumets temperatur är högre än den inställda temperaturen. (Låget elektrisk uppvärmning)</li> <li>• Rumets temperatur är lägre än den inställda temperaturen. (Kylningsläge)</li> </ul>	<ul style="list-style-type: none"> <li>• Töm ut vattnet från vattenbehållaren.</li> <li>• Återställ temperaturen</li> <li>• Återställ temperaturen</li> </ul>
Enheten kylar inte tillräckligt	<ul style="list-style-type: none"> <li>• Dörrar eller fönster är inte stängda.</li> <li>• Det finns en värmekälla i rummet.</li> <li>• Utloppsluftslangen är inte ansluten eller är blockerad.</li> <li>• Temperaturinställningen är för hög.</li> <li>• Luftinloppet är blockerat.</li> </ul>	<ul style="list-style-type: none"> <li>• Se till att alla fönster och dörrar är stängda.</li> <li>• Ta bort alla värmekällor, om det är möjligt.</li> <li>• Anslut eller rengör utloppsluftslangen.</li> <li>• Återställ temperaturen</li> <li>• Rengör luftinloppet.</li> </ul>

Problem	Möjliga orsaker	Förslag på lösningar
Strömmen stängs av automatiskt i värmeläge	<ul style="list-style-type: none"> <li>Överhettningsskydd, enheten stängs av automatiskt om temperaturen vid luftutloppet överstiger 70°C.</li> </ul>	<ul style="list-style-type: none"> <li>Starta om enheten när rummets temperatur är tillräckligt låg.</li> </ul>
Buller	<ul style="list-style-type: none"> <li>Golvet är inte tillräckligt jämnt eller plant.</li> <li>Ljudet kommer från flödet av kylmedel inne i luftkonditioneraren</li> </ul>	<ul style="list-style-type: none"> <li>Placera enheten på en jämn, plan yta, om möjligt.</li> <li>Detta är normalt.</li> </ul>
E0-kod	<ul style="list-style-type: none"> <li>Fel på rumstemperatursensorn</li> </ul>	<ul style="list-style-type: none"> <li>Byt ut rumstemperatursensorn (enheten kan även användas utan att sensorn byts ut).</li> </ul>
E2-kod	<ul style="list-style-type: none"> <li>Vattenbehållaren är full</li> </ul>	<ul style="list-style-type: none"> <li>Töm vattenbehållaren.</li> </ul>

Produkten eller utrustningen innehåller fluorerad växthusgas.

Art.nr. AC-5474  
 Kylmedel: R290  
 Mängd i kg: 0,10  
 Global uppvärmningspotential: 3

Art.nr. AC-5477  
 Kylmedel: R290  
 Mängd i kg: 0,14  
 Global uppvärmningspotential: 3

Art.nr. AC-5527PR  
 Kylmedel: R290  
 Mängd i kg: 0,14  
 Global uppvärmningspotential: 3

Art.nr. AC-5529  
 Kylmedel: R290  
 Mängd i kg: 0,16  
 Global uppvärmningspotential: 3

Art.nr. AC-5531  
 Kylmedel: R290  
 Mängd i kg: 0,16  
 Global uppvärmningspotential: 3

## GARANTI

- Denna produkt har 24 månaders garanti. Din garanti gäller om produkten används i enlighet med instruktionerna och det syfte för vilket den konstruerats. Dessutom måste originalköpehandling (faktura eller kvitto) uppvisas, med inköpsdatum, namnet på återförsäljaren och produktens serienummer.
- För detaljerade garantivillkor, se vår servicewebsite: [www.tristar.eu](http://www.tristar.eu)

## OMGIVNING



Denna utrustning får inte kastas i hushållssoporna när den slitits ut, utan måste lämnas in på en återvinningsanläggning för elektrisk och elektronisk hushållsutrustning. Denna symbol på utrustningen, instruktionshandboken och förpackningen informerar dig om denna viktiga fråga. Materialet som använts i denna utrustning kan återvinnas. Genom att återvinna förbrukad hushållsutrustning bidrar du till skyddet av miljön. Kontakta dina lokala myndigheter för information om återvinningsställen.

## SUPPORT

Du hittar all tillgänglig information och reservdelar på <http://www.tristar.eu>

## BEZPEČNOSTNÍ POKYNY

- Přečtěte si laskavě pečlivě tento manuál, aby se zajistilo řádné používání, údržba a instalace.
- Toto zařízení je vhodné pouze pro vnitřní použití.
- Jednotku nepoužívejte u opravované nebo nesprávně instalované zásuvky.
- Nepoužívejte toto zařízení a dbejte na tato bezpečnostní opatření:
  - o V blízkosti zdrojů ohně.
  - o V oblasti, kde může vystříknout olej.
  - o V oblasti vystavené přímému slunci.
  - o V oblasti, kde může vystříknout voda.
  - o V blízkosti vany, prádelny, sprchy nebo plaveckého bazénu.
- Nikdy nestrkejte prsty, tyče do vstupu pro vzduch. Tato nebezpečí zvláště vysvětlete dětem.
- Při dopravě a skladování udržujte jednotku vzpřímenou, aby byl kompresor v řádné pozici.
- Před čištěním klimatizace vždy vypněte a odpojte elektrické napájení.
- Při přesunu klimatizace vždy vypněte a odpojte elektrické napájení a přesouvejte pomalu.
- Aby se zamezilo riziku požáru, nesmí být klimatizace zakryta.
- Všechny zásuvky klimatizace musí splňovat místní požadavky na elektrickou bezpečnost. Pokud je to nutné, zkontrolujte ji z hlediska těchto požadavků.
- Děti by měly být pod dohledem, aby se zajistilo, že si nebudou se zařízením hrát.
- Je-li napájecí šňůra poškozena, musí být vyměněna výrobcem, jeho servisním střediskem nebo podobně kvalifikovanou osobou, aby se předešlo nebezpečí.
- Toto zařízení smějí používat děti starší 8 let a osoby s omezenými tělesnými, smyslovými či mentálními schopnostmi nebo s nedostatkem zkušeností a znalostí, pokud jsou pod dohledem osoby odpovědné za jejich bezpečnost nebo pokud byly o použití tohoto zařízení touto osobou poučeny a uvědomují si možné nebezpečí. Děti si nesmějí se zařízením hrát. Čištění a údržbu nesmí provádět děti bez dozoru.
- Zařízení je nutno instalovat v souladu s vnitrostátními předpisy pro elektroinstalace.
- Poznámky:
  - o Jsou-li jakékoli součásti poškozené, kontaktujte prodejce nebo určený servis;
  - o V případě jakéhokoli poškození laskavě vypněte vzduchový spínač, odpojte elektrické napájení a kontaktujte
  - o prodejce nebo určený servis;
  - o V každém případě musí být napájecí šňůra pevně uzemněna.
  - o Aby se zamezilo nebezpečí v případě poškození napájecí šňůry, laskavě vypněte vzduchový spínač a odpojte elektrické napájení. Musí ji vyměnit prodejce nebo určený servis.

## VÝSTRAHA

- Nepoužívejte prostředky pro urychlení procesu odmrazení nebo čištění kromě těch, které doporučuje výrobce.
- Zařízení by mělo být uskladněno v místnosti bez zdrojů vznícení, které jsou nepřetržitě v chodu (například otevřené plameny, plynový spotřebič v chodu nebo elektrický ohřívač v chodu).
- Nepropichujte ani nepalte.
- Mějte na paměti, že chladiva nemusí mít žádný zápach.
- Zařízení by mělo být nainstalováno, provozováno a uskladněno v místnosti s podlahovou plochou větší než X m<sup>2</sup>. (X=4 pro 5000 Btu/h, 7000 Btu/h, 8000 Btu/h; X=7,7 pro 9000 Btu/h, 10000 Btu/h, 10500 Btu/h)
- Kvůli opravě nebo údržbě této jednotky kontaktuje autorizovaného servisního technika.
- Napájecí kabel netahejte, nedeformujte, nijak neupravujte ani neponořujte do vody. Tahání nebo nesprávné používání napájecího kabelu může mít za následek poškození jednotky a způsobit úraz elektrickým proudem.
- Musí být dodržovány národní plynové směrnice.
- Ventilační otvory udržujte bez jakýchkoli překážek.
- Jakákoli osoba, která bude zapojena do práce na chladivovém okruhu nebo jeho přerušení by měla vlastnit současný platný certifikát, vydaný v oboru akreditovaným orgánem na posuzování, který autorizuje její způsobilost pro bezpečnou manipulaci s chladivem v souladu s uznávanými specifikacemi posuzování.
- Zajišťování servisu musí být prováděno pouze tak, jak doporučuje výrobce zařízení. Údržby a opravy, které budou vyžadovat pomoc dalšího kvalifikovaného pracovníka, musí být prováděny pod dohledem člověka, který je kompetentní pro použití hořlavých chladiv.
- Jednotku neprovozujte ani nezastavujte zapojením nebo vytažením zástrčky napájecího kabelu, může to způsobit úraz elektrickým proudem nebo požár z důvodu vyvíjení tepla.
- Pokud uslyšíte divné zvuky, ucítíte divný zápach nebo uvidíte vycházet kouř z jednotky, tak ji odpojte od elektrické sítě.





## VÝSTRAHA

Konkrétní informace, týkající se zařízení s chladivovým plynem R290.

- Důkladně si přečtěte všechna upozornění.
- Při odmrazování a čištění zařízení nepoužívejte žádné nářadí kromě toho, které bylo doporučeno výrobcem.
- Zařízení musí být umístěno v prostoru bez jakýchkoli trvalých zdrojů vznícení (například otevřené plameny, plynové nebo elektrické spotřebiče v chodu).
- Nepropichujte ani nepalte.
- Zařízení by mělo být nainstalováno, provozováno a uskladněno v místnosti s podlahovou plochou větší než X m<sup>2</sup>. (X=4 pro 5000 Btu/h, 7000 Btu/h, 8000 Btu/h; X=7,7 pro 9000 Btu/h, 10000 Btu/h, 10500 Btu/h)
- Toto zařízení obsahuje Y g (podívejte s na výkonový štítek vzadu na jednotce) chladivového plynu R290.
- R290 je chladivový plyn, který splňuje evropské směrnice o životním prostředí. Nepropichujte žádnou část chladivového okruhu.
- Pokud bude zařízení nainstalováno nebo uchováno v nevětraném prostoru, tak tento prostor musí být navržen tak, aby zabraňoval nahromadění úniků chladiva, které vy měly za následek nebezpečí požáru nebo výbuchu z důvodu vznícení chladiva, způsobeného elektrickými ohříváči, kamny či jinými zdroji vznícení.

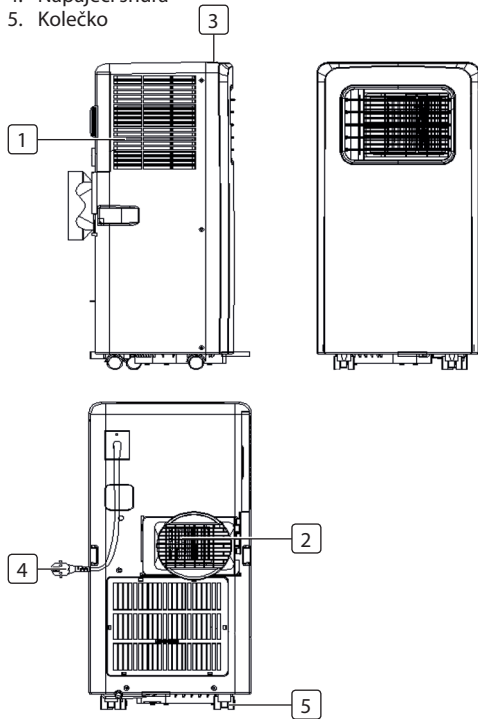
- Zařízení musí být uskladněno takovým způsobem, aby bylo zabráněno mechanickým poškozením.
- Osoby, které budou provozovat nebo pracovat na chladivovém okruhu, musí mít příslušnou certifikaci, vydanou akreditovanou organizací, jež zaručuje kompetenci při manipulaci s chladivou podle specifických posuzování uznávanými asociacemi v oboru.
- Opravy musí být prováděny v závislosti na doporučení výrobní společnosti. Údržby a opravy, které vyžadují pomoc dalšího kvalifikovaného pracovníka, musí být prováděny pod dohledem člověka, který byl určen pro použití hořlavých chladiv.

## CHLADIVO






(CE) N 842/2006: Tato klimatizační jednotka obsahuje chladivo R290. Množství chladiva je menší než 1 kg a je v uzavřeném chladicím okruhu. Chladivo má nulový potenciál poškození ozónové vrstvy, ale je tak zvaným skleníkovým plynem podle Kjótského protokolu a mohlo by tudíž přispívat ke globálnímu oteplování, kdyby bylo vypuštěno do atmosféry. A proto jej mohou plnit či vyprazdňovat pouze vyškolení technici s certifikátem o chladivech. Vaše klimatizační jednotka nemusí používat, pokud je používána správným způsobem a nepoškozený chladivový okruh může být doplněn chladivem. GWP: R290: 3

## POPIS SOUČÁSTÍ

1. Přívod vzduchu
2. Odvod vzduchu
3. Ovládací panel
4. Napájecí šňůra
5. Kolečko

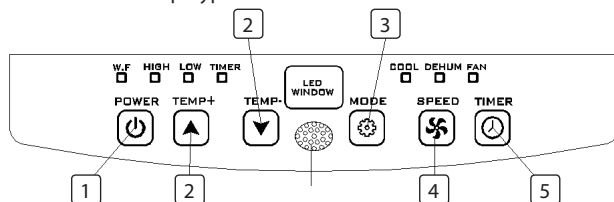


## PŘÍSLUŠENSTVÍ

Díl	Popis
	Hadice pro odvod horkého vzduchu
	Konektor hadice (konec u okna)
	Konektor hadice (konec u klimatizace)
	Okenní sada
	Dálkové ovládání

## FUNKCE OVLÁDACÍHO PANELU

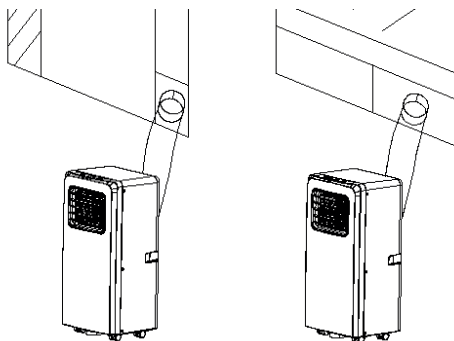
1. Tlačítko Power
2. Tlačítka Temperature
3. Tlačítko Mode
4. Tlačítko nastavení Fan speed
5. Tlačítko Timer zap/vyp



## PŘED PRVNÍM POUŽITÍM

### Před započetím provozu v této části:

- Najděte místo, kde je blízko elektrické napájení.
- Instalujte odváděcí hadici a dobře upravte okenní pozici.



- Zasuňte napájecí šňůru do uzemněné zásuvky AC220~240V/50Hz;
- Stiskem tlačítka POWER klimatizaci zapnete.
- Provozní teplotní rozsah: 18°C - 35°C
- Zkontrolujte, že byla odváděcí hadice řádně instalována.
- Při použití funkcí u chlazení a odstranění vlhkosti zachovejte mezi každým stiskem POWER interval alespoň 3 minut.

## POUŽITÍ

### Provoz chlazení

- Tiskněte tlačítko "Mode", dokud se neobjeví ikona "Cool".
- Tiskněte tlačítko ▲ nebo ▼ pro volbu požadované teploty místnosti. (16°C - 31°C)
- Stiskněte tlačítko "Fan speed" pro volbu rychlosti foukání.

### Provoz odstranění vlhkosti

- Tiskněte tlačítko "Mode", dokud nezačne blikat "Dehumidify Indicator Lamp"
- Automaticky nastavte zvolenou teplotu na stávající teplotu místnosti minus 2°C. (16°C-31°C)
- Automaticky nastavte motor ventilátoru na NÍZKOU rychlost foukání.

### Provoz ventilátoru

- Tiskněte tlačítko "Mode", dokud se neobjeví ikona "Fan".
- Stiskněte tlačítko "Fan speed" pro volbu rychlosti foukání.

### Provoz časovače

#### Nastavení časovače pro ZAPNUTÍ

- Když je klimatizace VYPNUTA, stiskněte tlačítko "Timer" a zvolte požadovaný čas ZAPNUTÍ pomocí tlačítek teploty a nastavení času.
- Na provozním panelu se zobrazí "Preset ON Time".
- Čas ZAPNUTÍ lze regulovat kdykoli v době 0-24 hodin.

### Nastavení časovače pro VYPNUTÍ

- Když je klimatizace ZAPNUTA, stiskněte tlačítko "Timer" a zvolte požadovaný čas VYPNUTÍ pomocí tlačítek teploty a nastavení času.
- "Na provozním panelu se zobrazí "Preset OFF Time".
- Čas VYPNUTÍ lze regulovat kdykoli v době 0-24 hodin.

### Kontinuální vypouštění

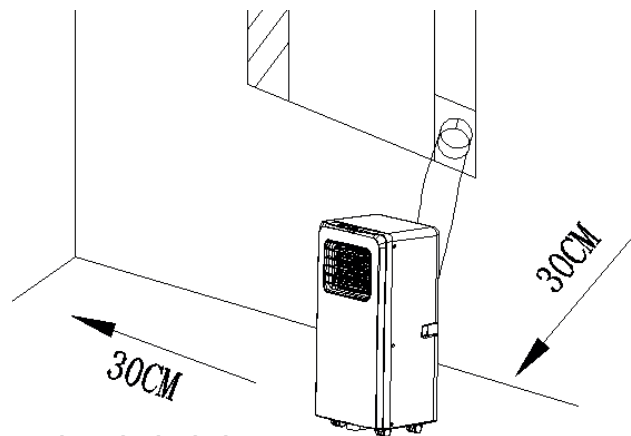
- Pokud plánujete, že nebudete tuto jednotku dlouho používat, odstraňte gumovou zátku z výpustného otvoru ve spodní části jednotky a připojte výpustnou hadici ke spodní upevňovací sponě. Veškerá voda ve vodní nádrži vyteče ven.
- Je-li poškozeno vodní čerpadlo, lze využít kontinuální vypouštění a v takovém případě se vodní čerpadlo neaktivuje. Jednotka tak také může dobře fungovat.
- Je-li poškozeno vodní čerpadlo, lze využít také střídavé vypouštění. Pokud se za této podmínky rozsvítí indikátor úplného naplnění vodou, připojte laskavě výpustnou hadici ke spodní upevňovací sponě.

### Funkce upozornění na úplné naplnění vnitřní vodní nádrže

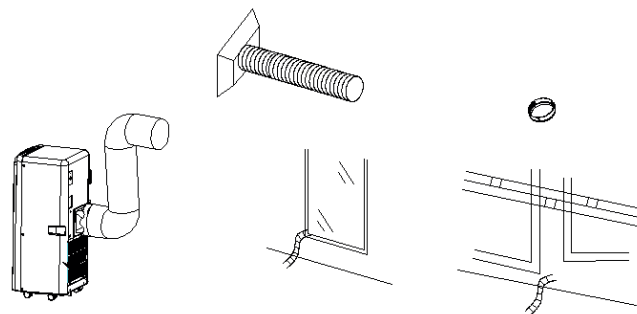
Vnitřní vodní nádrž v klimatizaci má jeden bezpečnostní spínač hladiny vody, který ovládá vodní hladinu. Jakmile hladina vody dosáhne předpokládanou výšku, rozsvítí se světlo indikátoru úplného naplnění vodou. (Pokud je vodní čerpadlo poškozeno, když je nádrž plná, odstraňte laskavě gumovou zátku ve spodní části jednotky a veškerá voda vyteče ven.)

### INSTALACE

- Odstranitelná klimatizace by měla být instalována na rovném místě s prázdným prostorem okolo jednotky. Neblokujte výstup vzduchu, požadovaný volný prostor okolo jednotky by měl být nejméně ve vzdálenosti 30 cm.
- Zapojení zásuvky by mělo odpovídat místním bezpečnostním požadavkům na elektroinstalaci.



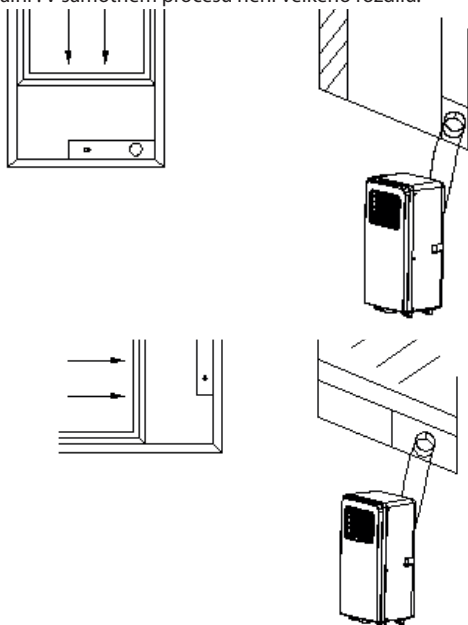
### Instalace odváděcí hadice



- Stočte oba konce odváděcí hadice do čtvercové upevňovací spony a ploché upevňovací spony.
- Vložte čtvercovou upevňovací sponu do otvorů v zadní části klimatizace.
- Umístěte druhý konec odváděcí hadice vedle okenního parapetu.

### Instalace sestavy okenního posuvníku

Instalace sestavy okenního posuvníku je převážně "horizontální" a "vertikální". V samotném procesu není velkého rozdílu.



## ÚDRŽBA ČIŠTĚNÍM

- Před čištěním nezapomeňte odpojit jednotku od každého výstupu elektrického napájení.
- Nejdříve vyčistěte povrch neutrálním čistícím prostředkem a vlhkým hadříkem a poté otřete suchým hadříkem.
- Pro čištění jednotky nepoužívejte benzín, ani jiné chemikálie.
- Jednotku přímo nemyjte.
- Jeli klimatizace poškozena, kontaktujte laskavě prodejce nebo servis.

### Vzduchový filtr

- Pokud se vzduchový filtr ucpe prachem/nečistotou, měl by být vyčištěn jednou za dva týdny.
- Otevřete mřížku vstupu vzduchu a vyjměte vzduchový filtr.
- Vyčistěte vzduchový filtr neutrálním čistícím prostředkem za vlažné teploty 40°C a nechte uschnout ve stínu.
- Při vkládání vzduchového filtru do vstupní mřížky vraťte díly na místo tak, jak byly.

## ODSTRAŇOVÁNÍ PROBLÉMŮ

Problémy	Možné příčiny	Navrhovaná řešení
Po stisknutí tlačítka napájení jednotka nenastartuje	<ul style="list-style-type: none"> <li>• Indikátor úplného naplnění vodou bliká a nádrž na vodu je plná.</li> <li>• Teplota místnosti je vyšší než nastavení teploty. (Režim elektrického vytápění)</li> <li>• Teplota místnosti je nižší než nastavení teploty. (Režim chlazení)</li> </ul>	<ul style="list-style-type: none"> <li>• Vylijte vodu z nádrže na vodu.</li> <li>• Proveďte nové nastavení teploty</li> <li>• Proveďte nové nastavení teploty</li> </ul>
Jednotka nedostatečně chladí	<ul style="list-style-type: none"> <li>• Dveře nebo okna nejsou zavřené.</li> <li>• V místnosti jsou zdroje tepla.</li> <li>• Odváděcí hadice vzduchu není připojena nebo je ucpaná.</li> <li>• Nastavení teploty je příliš vysoké.</li> <li>• Vstup vzduchu je ucpaný.</li> </ul>	<ul style="list-style-type: none"> <li>• Zajistěte, aby byly všechny dveře a okna zavřené.</li> <li>• Pokud je to možné, odstraňte zdroje tepla</li> <li>• Připojte nebo vyčistěte odváděcí hadici vzduchu.</li> <li>• Proveďte nové nastavení teploty</li> <li>• Vyčistěte vstup vzduchu.</li> </ul>

Problémy	Možné příčiny	Navrhovaná řešení
Automatické Vypnutí v režimu vytápění	<ul style="list-style-type: none"> <li>Ochrana vytápění jednotku automaticky vypne, jakmile teplota na výstupu vzduchu překročí 70°C.</li> </ul>	<ul style="list-style-type: none"> <li>Jednotku znovu zapněte při dostatečně nízké teplotě.</li> </ul>
Hluk	<ul style="list-style-type: none"> <li>Země není rovná nebo dostatečně plochá</li> <li>Uvnitř klimatizace jsou slyšet zvuky vycházející z průtoku chladicí kapaliny</li> </ul>	<ul style="list-style-type: none"> <li>Pokud je to možné, umístěte jednotku na dostatečně plochou a rovnou zem</li> <li>To je normální.</li> </ul>
Kód E0	<ul style="list-style-type: none"> <li>Chyba snímače pokojové teploty</li> </ul>	<ul style="list-style-type: none"> <li>Vyměňte snímač pokojové teploty (jednotka může fungovat i bez výměny).</li> </ul>
Kód E2	<ul style="list-style-type: none"> <li>Nádrže na vodu je plná</li> </ul>	<ul style="list-style-type: none"> <li>Vyprázdněte laskavě nádrž na vodu.</li> </ul>

Výrobek nebo zařízení obsahuje fluorované skleníkové plyny.

Č. výrobku AC-5474  
 Chladicí kapalina: R290  
 Množství v kg: 0,10  
 Potenciál globálního oteplení: 3

Č. výrobku AC-5477  
 Chladicí kapalina: R290  
 Množství v kg: 0,14  
 Potenciál globálního oteplení: 3

Č. výrobku AC-5527PR  
 Chladicí kapalina: R290  
 Množství v kg: 0,14  
 Potenciál globálního oteplení: 3

Č. výrobku AC-5529  
 Chladicí kapalina: R290  
 Množství v kg: 0,16  
 Potenciál globálního oteplení: 3

Č. výrobku AC-5531  
 Chladicí kapalina: R290  
 Množství v kg: 0,16  
 Potenciál globálního oteplení: 3

## ZÁRUKA

- Záruka na tento výrobek je 24 měsíců. Záruka je platná, pokud je výrobek používán v souladu s návodem a k účelu, ke kterému je určen. Navíc je třeba předložit originální doklad o nákupu (fakturu, paragon nebo stvrzenku) s datem nákupu, názvem prodejce a výrobním číslem výrobku.
- Podrobné záruční podmínky naleznete na našich servisních stránkách: [www.tristar.eu](http://www.tristar.eu)

## ŽIVOTNÍ PROSTŘEDÍ



Tento spotřebič by se po ukončení životnosti neměl vyhazovat do domovního odpadu, ale je třeba ho dopravit na centrální sběrné místo k recyklaci elektroniky a domácích elektrických spotřebičů.

Tento symbol na přístroji, v návodu k obsluze a na obalovém materiálu vás na tento důležitý pokyn upozorňuje. Materiály použité na toto zařízení lze recyklovat. Recyklací použitých domácích spotřebičů významnou měrou přispíváte k ochraně našeho životního prostředí. Informace o sběrném místě získáte na místním obecním úřadě.

## PODPORA

Všechny dostupné informace a náhradní díly naleznete na <http://www.tristar.eu>

## BEZPEČNOSTNÉ POKYNY

- Prosím, prečítajte si starostlivo tento užívateľský manuál pre zabezpečenie správneho používania, údržby a inštalácie.
- Zariadenie je len na používanie v interiéri.
- Nepoužívajte jednotku pri zásuvke, ktorá sa opravuje, alebo ktorá nie je správne nainštalovaná
- Jednotku nepoužívajte, nasledujte tieto predbežné opatrenia:
  - o V blízkosti zdroja ohňa.
  - o V oblasti, kde je pravdepodobnosť striekania oleja.
  - o V oblasti vystavenej priamemu slnečnému svetlu.
  - o V oblasti, kde je pravdepodobnosť striekania vody.
  - o V blízkosti vane, práčovne, sprchy alebo bazéna.
- Nikdy nekladajte vaše prsty, tyče do výstupu vzduchu. Obzvlášť sa postarajte o to, aby ste upozornili deti na tieto nebezpečenstvá.
- Jednotku udržiujte počas prepravy a skladovania postavenú smerom nahor, aby bol kompresor správne umiestnený.
- Pred čistením klimatizácie vždy vypnite alebo odpojte napájanie.
- Keď klimatizáciu presúvate, vždy vypnite alebo odpojte napájanie a s klimatizáciou pohybujte pomaly.
- Aby sa zamedzilo možnosti požiaru, klimatizácia sa nemá zakrývať.
- Všetky zástrčky klimatizácie musia byť v súlade s miestnymi požiadavkami pre elektrickú bezpečnosť. Ak je to potrebné, prosím, skontrolujte ju ohľadom požiadaviek.
- Deti by mali byť pod dozorom, aby sa zabezpečilo, že sa so zariadením nehrajú.
- Ak je napájací kábel poškodený, musí ho vymeniť výrobca, jeho servisný technik alebo podobne kvalifikované osoby, aby sa zbránilo riziku.
- Toto zariadenie môžu používať deti vo veku od 8 rokov a staršie a osoby so zníženými fyzickými, vnemovými a duševnými schopnosťami alebo s nedostatkom skúseností a vedomostí, ak im bol poskytnutý dozor alebo poučenie ohľadom používania zariadenia bezpečným spôsobom a ak chápu zahrnuté riziká. Deti sa nemajú so zariadením hrať. Čistenie a užívateľskú údržbu nemajú vykonávať deti bez dozoru.
- Zariadenie sa má nainštalovať v súlade s národnými nariadeniami rozvodov káblov.
- Poznámky:
  - o Ak sa nejaká časť poškodí, prosím, kontaktujte predajcu alebo určený servis;
  - o V prípade akejkoľvek škody, prosím, vypnite prepínač vzduchu, odpojte napájanie a kontaktujte Predajcu alebo určený servis;
  - o V každom prípade má byť napájací kábel pevne uzemnený.
  - o Aby sa zamedzilo možnosti nebezpečenstva, ak je poškodený napájací kábel, prosím, vypnite prepínač vzduchu a odpojte napájanie. Musí ho vymeniť predajca alebo určený servis.

## VAROVANIE

- Pre zrýchlenie procesu rozmrazovania alebo čistenia nepoužívajte žiadny iný spôsob než ten odporúčaný výrobcom.
- Zariadenie by malo byť uskladnené v miestnosti kde nie je nepretržitá prevádzka zdrojov vznietenia (napríklad: otvorený plameň, pracujúce zariadenie na plyn alebo pracujúci elektrický ohrievač).
- Neprepichujte alebo nepáľte.
- Budte si vedomí, že chladivá nemusia mať zápach.
- Zariadenie by malo byť nainštalované, prevádzkované a uskladnené v miestnosti s plochou podlahy väčšou ako X m<sup>2</sup>. (X=4 pre 5000Btu/h, 7000Btu/h, 8000Btu/h; X=7.7 pre 9000Btu/h, 10000Btu/h, 10500Btu/h)
- Pre opravy alebo údržbu tejto jednotky kontaktujte autorizovaného opravára.
- Neťahajte, deformujte alebo upravujte napájací kábel, alebo ho neponárajte do kvapaliny. Ťahanie alebo nesprávne zaobchádzanie s napájacím káblom môže vyústiť so poškodenia jednotky alebo spôsobiť elektrický šok.
- Národné predpisy týkajúce sa plynu musia byť dodržiavané.
- Ventiláčné otvory udržiavajte bez prekážok.
- Akákoľvek osoba pracujúca na alebo prerušujúca chladiaci okruh by mala mať aktuálny platný certifikát vydaný akreditovanou hodnotiacou autoritou v priemysle, ktorá autorizuje kompetenciu pri bezpečnej manipulácii s chladivom podľa hodnotiacej špecifikácie uznávanej v priemysle.
- Údržba musí byť vykonávaná iba podľa odporúčenia vybavenia výrobcu. Údržba a opravy vyžadujúce si pomoc iného odborného personálu sa vykonávajú pod dohľadom osoby zodpovednej za používanie horľavých chladív.
- Neprevádzkujte ani nezastavujte jednotku zasunutím alebo vytiahnutím zástrčky zo zásuvky, mohlo by dôjsť k úrazu elektrickým prúdom alebo k požiaru v dôsledku vytvárania tepla.
- Ak sa ozývajú neobvyklé zvuky, zápach, alebo ak z jednotky vychádza dym odpojte ju zo zásuvky.





## VAROVANIE

Špecifická informácia týkajúca sa zariadení s chladiacim plynom R 290.

- Pozorne si prečítajte všetky varovania.
- Pri rozmrazovaní alebo čistení zariadenia nepoužívajte žiadne iné nástroje než tie odporúčané výrobcom.
- Toto zariadenie musí byť umiestnené v priestore bez akýchkoľvek nepretržitých zdrojov vznietenia (napríklad: otvorený plameň, plynové alebo elektrické zariadenia v prevádzke).
- Neprepichujte a nepáľte.
- Zariadenie by malo byť nainštalované, prevádzkované a uskladnené v miestnosti s plochou podlahy väčšou ako X m<sup>2</sup>. (X=4 pre 5000Btu/h, 7000Btu/h, 8000Btu/h; X=7.7 pre 9000Btu/h, 10000Btu/h, 10500Btu/h)
- Toto zariadenie obsahuje Y g (viď typový štítok na zadnej strane jednotky) chladiaceho plynu R290.
- R290 je chladiaci plyn podlieha Európskym smerniciam týkajúcich sa životného prostredia. Neprepichujte žiadnu časť chladiaceho okruhu.
- Ak je spotrebič inštalovaný, prevádzkovaný alebo uskladnený v nevetranom priestore, miestnosť musí byť navrhnutá tak, aby sa zabránilo nahromadeniu úniku chladiva, čoho výsledkom je nebezpečenstvo požiaru alebo výbuchu v dôsledku zapálenia chladiva spôsobeného elektrickými ohrievačmi, sporákmi alebo inými zdrojmi vznietenia.

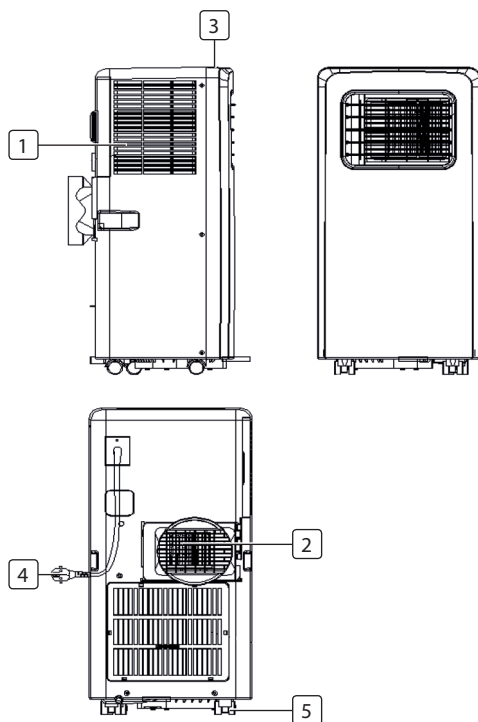
- Zariadenie by malo byť uskladnené takým spôsobom, aby sa predišlo mechanickému zlyhaniu.
- Jednotlivci, ktorí narábajú s alebo pracujú na chladiacom okruhu, musia mať príslušné oprávnenie vydané akreditovanou organizáciou, ktorá zabezpečuje spôsobilosť pri manipulácii s chladivami podľa špecifického hodnotenia uznaného združeniami v priemysle.
- Opravy musia byť vykonané na základe odporúčaní od výrobcu. Údržba a opravy vyžadujúce si pomoc iného odborného personálu musia byť vykonávané pod dohľadom jednotlivca zodpovedného za používanie horľavých chladív.

## CHLADIVO






(CE) N 842/2006: Klimatizácia obsahuje chladivo R290. Množstvo chladiva je menšie ako 1kg, a je v uzavretom chladiacom okruhu. Chladiaca kvapalina má nulový potenciál poškodzovania ozónu, ale patrí medzi takzvané skleníkové plyny v rámci Kjótskeho protokolu a môže tak prispievať k globálnemu otepľovaniu, ak sa uvoľní do atmosféry. Preto iba školený opravári s certifikátom na chladivá vykonávajú plnenie alebo vyprázdňovanie. Vaša klimatizácia nemusí byť znovu naplnená chladivom ak je používaná správne a má nepoškodený chladiaci okruh môže.GWP: R290: 3

## POPIS ČASTÍ

1. Vstup vzduchu
2. Výstup vzduchu
3. Ovládací panel
4. Napájací kábel
5. Závleky

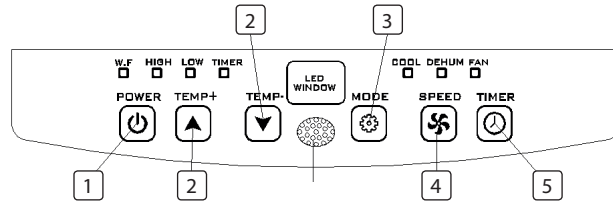


## PRÍSLUŠENSTVO

Časť	Popis
	Hadica odvodu horúceho vzduchu
	Konektor hadice (koniec okienka)
	Konektor hadice (Koniec klimatizácie)
	Okenná sada
	Diaľkový ovládač

## FUNCTION OF CONTROL PANEL

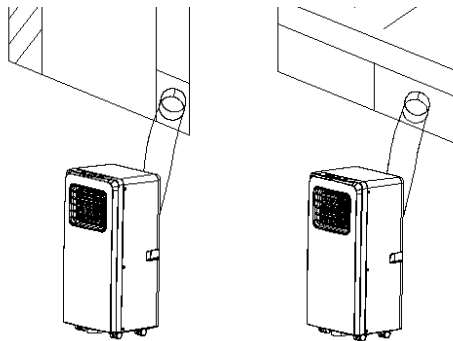
1. Power tlačidlo
2. Temperature tlačidlá
3. Mode tlačidlo
4. Fan speed tlačidlo nastavenia
5. Timer tlačidlo zapnutia/vypnutia



## PRED PRVÝM POUŽITÍM

### Pred spustením prevádzok v tejto časti:

- Nájdite miesto, kde je blízko zdroj napájania.
- Namontujte hadicu odvodu a nastavte dobre polohu okienka.



- Napájací kábel vložte do uzemnenej zásuvky AC220~240 V/50 Hz;
- Stlačte tlačidlo POWER pre zapnutie klimatizácie.
- Rozsah prevádzkovej teploty: 18°C - 35°C
- Skontrolujte, či je hadica odvodu správne namontovaná.
- Pri používaní funkcií chladenia a odvlhčovania zachovajte interval aspoň 3 minút medzi každým POWER.

## POUŽITIE

### Prevádzka chladenia

- Stláčajte tlačidlo "Mode", pokiaľ sa neobjaví ikonka "Cool".
- Stlačte tlačidlo ▲ alebo ▼ pre zvolenie želanej teploty miestnosti. (16°C-31°C)
- Stlačte tlačidlo "Fan Speed" pre zvolenie rýchlosti vetra.

### Prevádzka odvlhčovania

- Stláčajte tlačidlo "Mode", pokiaľ neblíka "Svetlo indikátora odvlhčovania"
- Automaticky nastavte zvolenú teplotu na súčasnú teplotu v miestnosti mínus 2°C. (16°C-31°C)
- Automaticky nastavte motor ventilátora na NÍZKU rýchlosť vetra.

### Prevádzka ventilátora

- Stláčajte tlačidlo "Mode", pokiaľ sa neobjaví ikonka "Fan".
- Stlačte tlačidlo "Fan Speed" pre zvolenie rýchlosti vetra.

### Prevádzka časovača

#### Nastavenie ZAPNUTIA časovača

- Keď je klimatizácia VYPNUTÁ, stlačte tlačidlo "Timer" a zvolte želaný čas ZAPNUTIA prostredníctvom tlačidiel nastavenia teploty a času.
- Na prevádzkovom paneli sa objaví "Preset ON Time".
- Čas ZAPNUTIA sa dá nastaviť kedykoľvek za 0-24 hodín.

### Nastavenie VYPNUTIA časovača

- Keď je klimatizácia ZAPNUTÁ, stlačte tlačidlo "Timer" a zvolte želaný čas VYPNUTIA prostredníctvom tlačidiel nastavenia teploty a času.
- Na prevádzkovom paneli sa objaví "Preset OFF Time".
- Čas VYPNUTIA sa dá nastaviť kedykoľvek za 0-24 hodín.

### Súvislé vypúšťanie

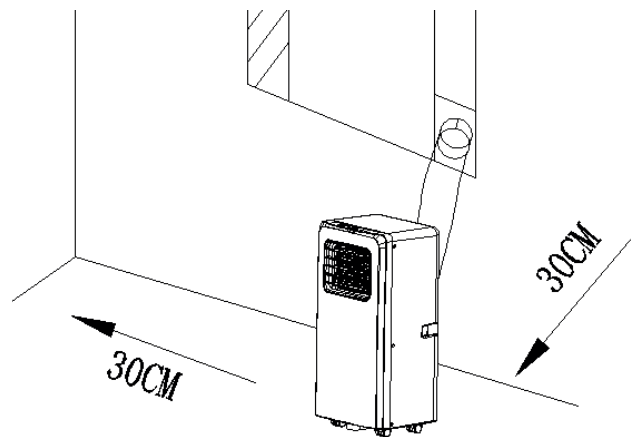
- Keď plánujete nechať túto jednotku bez použitia na dlhú dobu, prosím, odstráňte gumenú zátku z otvoru vypúšťania na spodu jednotky a pripojte hadicu vypúšťania k dolnej upevňovacej sponke. Všetka voda z vodnej nádrže sa vypustí von.
- Ak je vodné čerpadlo poškodené, môže sa použiť súvislé vypúšťanie, a za týchto podmienok sa vodné čerpadlo neaktivuje. Jednotka tiež môže dobre fungovať.
- Ak je vodné čerpadlo poškodené, môže sa tiež použiť prerušované vypúšťanie. Za týchto podmienok, keď sa rozsvieti svetlo indikátora plnej nádrže vody, prosím, pripojte hadicu vypúšťania k dolnej upevňovacej svorke.

### Funkcia alarmu plnej vnútornej vodnej nádrže

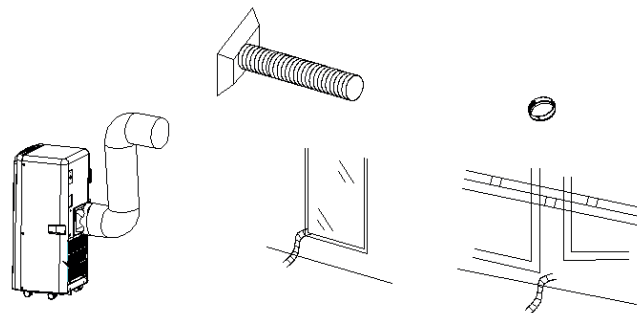
Vnútrná vodná nádrž v klimatizácii má bezpečnostné spínače jednej hladiny vody, kontroluje hladinu vody. Keď hladina vody dosiahne predpokladanú výšku, rozsvieti sa svetlo indikátora plnej hladiny. (Ak je čerpadlo vody poškodené, keď je nádrž plná, prosím, vyberte gumenú zátku na spodku jednotky a všetka voda sa vypustí von.)

### INŠTALÁCIA

- Klimatizácia sa má nainštalovať na rovnom a prázdnom mieste. Neblokujte výstup vzduchu, a požadovaná vzdialenosť okolo by mala byť aspoň 30cm.
- Rozvod káblov zásuvky by mal byť v súlade s miestnymi požiadavkami elektrickej bezpečnosti.



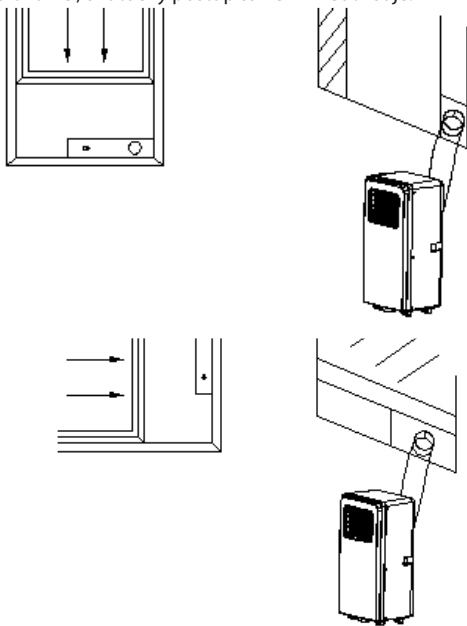
### Inštalácia hadice vypúšťania



- Zohnite obidva konce hadice odvodu do obdĺžnikovej upevňovacej svorky a rovnej upevňovacej svorky.
- Vložte obdĺžnikovú upevňovaciu svorku do otvorov na zadnej strane klimatizácie.
- Vložte druhý koniec hadice vývodu do blízkej okennej rímsy.

### Inštalácia sady okenného kontaktu

Spôsob inštalácie sady okenného kontaktu je prevažne "horizontálne" a "vertikálne". Skutočný postup sa veľmi neodlišuje.



## ÚDRŽBA ČISTENÍM

- Pred čistením zabezpečte, aby sa jednotka odpojila z výstupu elektrického napájania.
- Najprv vyčistíte povrch s neutrálnym čistiacim prostriedkom a mokrou textíliou, a potom ho utrite do sucha so suchou textíliou.
- Nepoužívajte žiadne benzíny ani iné chemikálie pre čistenie jednotky.
- Jednotku neumývajte priamo.
- Ak je klimatizácia poškodená, prosím, kontaktujte predajcu alebo servis.

### Vzduchový filter

- Ak sa vzduchový filter upchá s prachom/nečistotami, mal by sa vyčistiť raz a dva týždne.
- Otvorte mriežku vstupu vzduchu a vyberte vzduchový filter.
- Vzduchový filter vyčistíte s vlažným neutrálnym čistiacim prostriedkom 40°C a vysušte ho v tieni.
- Pri vkladaní vzduchového filtra do vstupnej mriežky umiestnite komponenty tak, ako boli.

## RIEŠENIE PRÓBLÉMOV

Problémy	Možné príčiny	Navrhované opravy
Jednotka sa nespustí pri stlačení tlačidla napájania	<ul style="list-style-type: none"> <li>• Svetlo indikátora plnej nádrže vody bliká a vodná nádrž je plná.</li> <li>• Teplota miestnosti je vyššia ako nastavená teplota. (Režim elektrického zohrievania)</li> <li>• Teplota miestnosti je nižšia ako nastavená teplota. (Režim chladenia)</li> </ul>	<ul style="list-style-type: none"> <li>• Vylejte vodu z vodnej nádrže.</li> <li>• Znovu nastavte teplotu</li> <li>• Znovu nastavte teplotu</li> </ul>
Jednotka dostatočne nechladí	<ul style="list-style-type: none"> <li>• Dvere alebo okná nie sú zatvorené.</li> <li>• Vo vnútri miestnosti sú zdroje tepla.</li> <li>• Hadica vývodu vzduchu nie je pripojená, alebo je zablokovaná.</li> <li>• Nastavená teplota je príliš vysoká.</li> <li>• Vstup vzduchu je zablokovaný.</li> </ul>	<ul style="list-style-type: none"> <li>• Zabezpečte, aby všetky okná a dvere boli zatvorené.</li> <li>• Odstráňte tepelné zdroje, ak je to možné</li> <li>• Pripojte hadicu vývodu vzduchu, alebo ju vyčistite.</li> <li>• Znovu nastavte teplotu</li> <li>• Vyčistite vstup vzduchu.</li> </ul>

Problémy	Možné príčiny	Navrhované opravy
Automatické vypnutie napájania v režime zohrievania	<ul style="list-style-type: none"> <li>Ochrana zohrievania, keď teplota vo výstupe vzduchu prekročí 70°C, jednotka sa automaticky vypne.</li> </ul>	<ul style="list-style-type: none"> <li>Reštartujte jednotku pri dostatočne nízkej teplote miestnosti.</li> </ul>
Hlučná	<ul style="list-style-type: none"> <li>Zem nie je dostatočne rovná ani plochá</li> <li>Zvuk vychádza z toku chladiva vo vnútri klimatizácie</li> </ul>	<ul style="list-style-type: none"> <li>Položte jednotku na rovnú, plochú zem, ak je to možné</li> <li>Je to normálne.</li> </ul>
Kód E0	<ul style="list-style-type: none"> <li>Snímač teploty miestnosti je chybný</li> </ul>	<ul style="list-style-type: none"> <li>Vymeňte snímač teploty miestnosti (jednotka môže fungovať aj bez výmeny.)</li> </ul>
Kód E2	<ul style="list-style-type: none"> <li>Vodná nádrž je plná</li> </ul>	<ul style="list-style-type: none"> <li>Prosím, vyprázdňte vodnú nádrž.</li> </ul>

Výrobok alebo zariadenie obsahuje flórinovaný skleníkový plyn.

Art.č. AC-5474  
 Chladivo: R290  
 Množstvo v: 0,10  
 Potenciál globálneho otepľovania: 3

Art.č. AC-5477  
 Chladivo: R290  
 Množstvo v: 0,14  
 Potenciál globálneho otepľovania: 3

Art.č. AC-5527PR  
 Chladivo: R290  
 Množstvo v kg: 0,14  
 Potenciál globálneho otepľovania: 3

Art.č. AC-5529  
 Chladivo: R290  
 Množstvo v kg: 0,16  
 Potenciál globálneho otepľovania: 3

Art.č. AC-5531  
 Chladivo: R290  
 Množstvo v kg: 0,16  
 Potenciál globálneho otepľovania: 3

## ZÁRUKA

- Tento výrobok má záruku 24 mesiacov. Vaša záruka úlatí, ak sa výrobok používa v súlade s pokynmi a na účel, na ktorý bol vyrobený. Okrem toho sa musí predložiť pôvodný doklad o kúpe (faktúra, účtenka) s dátumom kúpy, názvom predajcu a číslom výrobku.
- Pre detailné podmienky záruky si, prosím, pozrite našu servisnú stránku: [www.tristar.eu](http://www.tristar.eu)

## PRÍRODNÉ PROSTREDIE



Toto zariadenie by sa nemalo vyhadzovať s domovým odpadom na konci svojej životnosti, ale sa musí odovzdať na centrálnom mieste pre recykláciu elektrických a elektronických domácich spotrebičov. Tento symbol na zariadení, manuál s pokynmi a balenie smerujú vašu pozornosť na túto dôležitú vec. Materiály použité v tomto zariadení sa môžu recyklovať. Recyklovaním použitých domácich spotrebičov prispievate dôležitou mierou k ochrane nášho životného prostredia. Požiadajte vaše miestne úrady o informácie ohľadom miesta opätovného zberu.

## PODPORA

Všetky dostupné informácie o náhradných dieloch nájdete na <http://www.tristar.eu>

## VARNOSTNA NAVODILA

- Prosimo, da ta uporabniški priročnik pazljivo preberete, da zagotovite pravilno uporabo, vzdrževanje in nameščanje.
- Naprava je primerna samo za notranjo uporabo.
- Naprave ne uporabljajte, če se vtičnica popravlja ali ni pravilno instalirana.
- Ob upoštevanju varnostnih ukrepov, ne uporabljajte naprave:
  - o V bližini vira ognja.
  - o Na območju, kjer je velika verjetnost škropljenja olja.
  - o Na območju, ki je izpostavljeno neposredni sončni svetlobi.
  - o Na območju, kjer je velika verjetnost škropljenja vode.
  - o V bližini kopalnice, pralnice, prhe ali bazena.
- Nikoli ne vstavljajte svojih prstov, palic v izstopno odprtino za zrak. Na te nevarnosti še posebej opozorite otroke.
- Med transportom in shranjevanjem mora naprava stati pokonci, da je kompresor v pravilnem položaju.
- Pred čiščenjem klimatsko napravo vedno izklopite ali jo odklopite z električnega napajanja.
- Če klimatsko napravo premikate, jo vedno izklopite in odklopite električno napajanje, in jo premikajte počasi.
- Da se izgonete možnosti požara, klimatske naprave ne smete pokrivati.
- Vse vtičnice klimatske naprave se morajo ujemati z lokalnimi varnostnimi zahtevami za električno. Če je potrebno, preverite te zahteve.
- Otroci morajo biti pod nadzorom, da s tem preprečite igranje z napravo.
- Če je napajalni kabel poškodovan, ga mora zamenjati proizvajalec, serviser oziroma podobno usposobljena oseba, da s tem preprečite nevarnost.
- To napravo lahko uporabljajo otroci od 8. leta dalje in osebe z zmanjšanimi fizičnimi, senzoričnimi ali mentalnimi sposobnostmi, ali s pomanjkanjem izkušenj in znanja, če so pod nadzorom ali so prejele navodila v zvezi z varno uporabo naprave in so razumele nevarnosti, ki iz tega izhajajo. Otroci se ne smejo igrati z napravo. Otroci naprave ne smejo čistiti ali je vzdrževati brez nadzora.
- Naprava mora biti nameščena v skladu z nacionalnimi predpisi za ožičenje.
- Opombe:
  - o Če se kateri koli del poškoduje, se obrnite na prodajalca ali navedeno servisno delavnico;
  - o V primeru kakršne koli poškodbe, izklopite stikalo za zrak, odklopite električno napajanje in se obrnite na prodajalca ali navedeno servisno delavnico;
  - o V vsakem primeru mora biti napajalni kabel stalno ozemljen.
  - o Da preprečite možnost nevarnosti v primeru poškodovanja napajalnega kabla, izklopite stikalo za zrak in odklopite električno napajanje. Kabel mora zamenjati prodajalec ali navedena servisna delavnica.

## OPOZORILO

- Ne uporabljajte sredstev za pospeševanje odtaljevanja ali za čiščenje, razen tistih, ki jih priporoča proizvajalec.
- Napravo je treba hraniti v prostoru, kjer ni stalno delujočih virov vžiga (na primer: odprt plamen, delovna plinska naprava ali delujoč električni grelec).
- Ne luknjati in ne sežigati.
- Zavedajte se, da hladilna sredstva morda ne vsebujejo vonja.
- Napravo je treba namestiti, upravljati in shranjevati v prostoru s talno površino, večjo od X m<sup>2</sup>. (X=4 za 5000Btu/h, 7000Btu/h, 8000Btu/h; X=7,7 za 9000Btu/h, 10000Btu/h, 10500Btu/h)
- Za popravilo ali vzdrževanje te enote se obrnite na pooblaščenega serviserja.
- Ne vlecite, deformirajte ali spremenite napajalnega kabla in ne potaplajte ga v vodo. Vlečenje ali napačna uporaba napajalnega kabla lahko poškoduje enoto in povzroči električni udar.
- Upoštevati je treba skladnost z nacionalnimi predpisi o plinu.
- Prezračevalne odprtine morajo biti proste vseh ovir.
- Vsaka oseba, ki se ukvarja z delom na ali s posegom v hladilni krogotok, mora imeti veljavno potrdilo akreditiranega panožnega organa za ocenjevanje, ki odobrava njeno strokovnost za varno ravnanje s hladilnimi sredstvi v skladu s panožno priznano

specifikacijo ocene.

- Servisiranje se izvaja samo v skladu s priporočilom proizvajalca opreme. Vzdrževanje in popravila, ki zahtevajo pomoč drugega usposobljenega oseba, se izvajajo pod nadzorom osebe, ki je pristojna za uporabo vnetljivih hladilnih sredstev.
- Naprave ne uporabljajte in ne ustavljajte tako, da vstavite ali izvlečete napajalni vtič, lahko pride do električnega udara ali požara zaradi nastajanja toplote.
- Odklopite napravo, če iz nje prihajajo čudni zvoki, vonj ali dim.





**OPOZORILO**

Posebne informacije glede naprav s hladilnim plinom R 290.

- Temeljito preberite vsa opozorila.
- Pri odtaljevanju in čiščenju naprave ne uporabljajte nobenega drugega orodja, kot tistega, ki ga priporoča proizvodno podjetje.
- Naprava mora biti nameščena na območju brez stalnega vira vžiga (na primer: odprt plamen, delujoče plinske ali električne naprave).
- Ne luknjajte in ne sežigajte.
- Napravo je treba namestiti, upravljati in shranjevati v prostoru s talno površino, večjo od X m<sup>2</sup>. (X=4 za 5000Btu/h, 7000Btu/h, 8000Btu/h; X=7,7 za 9000Btu/h, 10000Btu/h, 10500Btu/h)
- Ta naprava vsebuje Y g (glejte tipsko nalepko na zadnji strani enote) hladilnega plina R290.
- R290 je hladilni plin, ki je v skladu z evropskimi direktivami o okolju. Ne luknjajte nobenega dela hladilnega krogotoka.
- Če se napravo namesti, upravlja ali shranjuje v neprežračevanem prostoru, mora biti prostor zasnovan tako, da preprečuje kopičenje puščanja hladilnega sredstva, ki ima za posledico nevarnost požara ali eksplozije zaradi vžiga hladilnega sredstva, ki ga povzročijo električni grelniki, peči ali drugi viri vžiga.
- Naprava mora biti shranjena na tak način, da se prepreči mehansko okvaro.

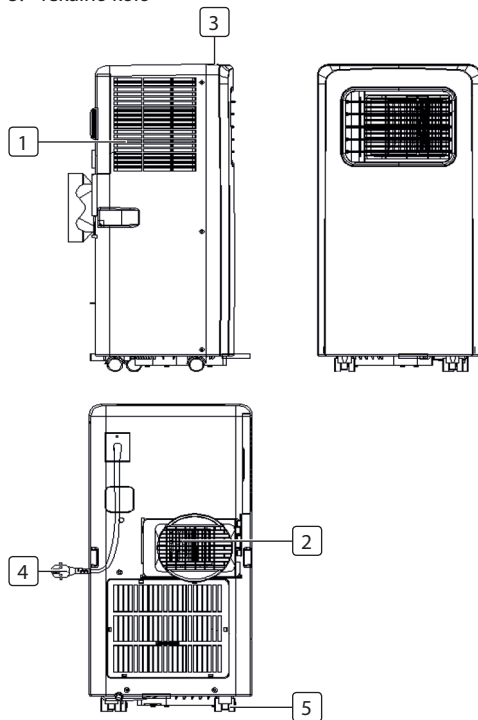
- Posamezniki, ki upravljajo ali delajo na hladilnem krogotoku, morajo imeti ustrezno potrdilo, ki ga izda akreditirana organizacija, ki zagotavlja sposobnost strokovnost pri ravnanju s hladilnimi sredstvi v skladu s posebno oceno, ki jo priznavajo panožna združenja.
- Popravila je treba opraviti na podlagi priporočila proizvodnega podjetja. Vzdrževanje in popravila, ki zahtevajo pomoč drugega usposobljenega oseba, se morajo izvajati pod nadzorom osebe, ki je navedena za uporabo vnetljivih hladilnih sredstev.

**HLADILNO SREDSTVO**






(CE) N 842/2006: Ta klimatska naprava vsebuje hladilno sredstvo R290. Količina hladilnega sredstva je manj kot 1 kg in je v zaprtem hladilnem krogotoku. Hladilno sredstvo nima potenciala za črpanje ozonskega plašča, vendar pa je toplogredni plin v skladu s Kjotskim protokolom in lahko tako prispeva k globalnemu segrevanju, če se sprosti v ozračje. Zato lahko polnjenje ali praznjenje opravljajo samo usposobljeni tehniki s potrdilom za ravnanje s hladilnimi sredstvi. Vaše klimatske naprave ni treba polniti s hladilnim sredstvom, če se pravilno uporablja in je hladilni krogotok nepoškodovan. GWP: R290: 3

## OPIS DELOV

1. Vhod za zrak
2. Izstopna odprtina za zrak
3. Nadzorna plošča
4. Napajalni kabel
5. Tekalno kolo

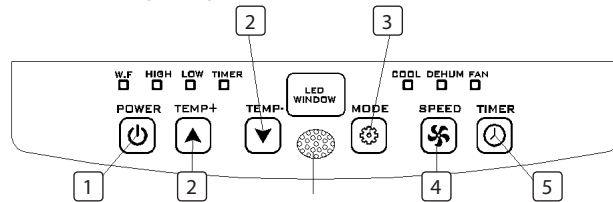


## DODATKI

Del	Opis
	Cev za vroč odpadni zrak
	Cevni priključek (na strani okna)
	Cevni priključek (na strani klimat-ske naprave)
	Okenski komplet
	Daljinski upravljalnik

## FUNKCIJA NADZORNE PLOŠČE

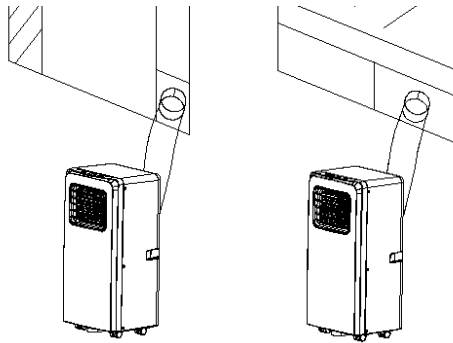
1. Gumb Power
2. Gumbi Temperature
3. Gumb Mode
4. Gumb za nastavev Fan speed
5. Gumb za vklop/izklop Timer



## PRED PRVO UPORABO

### Pred začetkom delovanja v tem poglavju:

- Najdite prostor, kjer je električno napajanje v bližini.
- Namestite cev za odpadni zrak in dobro prilagodite okenski položaj.



- Vtaknite napajalni kabel v ozemljeno AC220~240V/50Hz vtičnico;
- Pritisnite gumb POWER, da vklopite klimatsko napravo.
- Območje delovne temperature: 18°C - 35°C
- Preverite, ali je bila cev za odpadni zrak pravilno montirana.
- Ob uporabi funkcij hlajenja in razvlaževanja, naj bo med vsakim POWER razmak najmanj 3 minut.

## UPORABA

### Hlajenje

- Pritiskajte gumb "Mode", dokler se ne prikaže ikona "Cool".
- Pritisnite gumb ▲ali▲ da izberete želeno sobno temperaturo. (16°C-31°C)
- Pritisnite gumb "Fan Speed", da izberete hitrost vetra.

### Razvlaževanje

- Pritiskajte gumb "Mode", dokler "signalna lučka za razvlaževanje" ne utripa.
- Samodejno nastavite izbrano temperaturo na trenutno sobno temperaturo minus 2°C. (16°C-31°C)
- Samodejno nastavite motor ventilatorja na hitrost vetra LOW.

### Delovanje ventilatorja

- Pritiskajte gumb "Mode", dokler se ne prikaže ikona "Fan".
- Pritisnite gumb "Fan Speed", da izberete hitrost vetra.

### Delovanje timerja

#### Nastavev vklopa timerja

- Ko je klimatska naprava IZKLOPLJENA, pritisnite gumb "Timer" in izberite zeleni čas VKLOPA z gumbi za nastavev temperature in časa.
- "Preset ON Time" se prikaže na nadzorni plošči.
- Čas VKLOPA se lahko regulira kadarkoli v 0-24 urah.

### Nastavitev izklopa TIMERJA

- Ko je klimatska naprava VKLOPLJENA, pritisnite gumb "Timer" in izberite zeleni čas IZKLOPA z gumbi za nastavitev temperature in časa.
- "Preset OFF Time" se prikaže na nadzorni plošči.
- Čas IZKLOPA se lahko regulira kadarkoli v 0-24 urah.

### Neprekinjen izpust

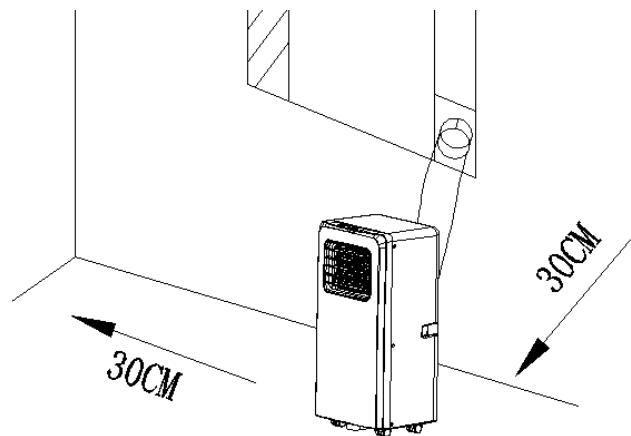
- Če naprave dalj časa ne mislite uporabljati, odstranite gumijasto blokado z odprtine za odvajanje vode na dnu naprave in priključite odtočno cev na spodnjo fiksno sponko. Vsa voda v posodi za vodo se bo iztočila.
- Če je črpalka za vodo poškodovana, lahko uporabite neprekinjen izpust, pod pogojem, da črpalka za vodo ni aktivirana. Naprava bo prav tako dobro delovala.
- Če je črpalka za vodo poškodovana, se lahko uporablja tudi izpust v presledkih. V tem primeru, ko zasveti signalna lučka za polno posodo za vodo, priključite odtočno cev na spodnjo fiksno sponko.

### Alarmna funkcija za polno notranjo posodo za vodo

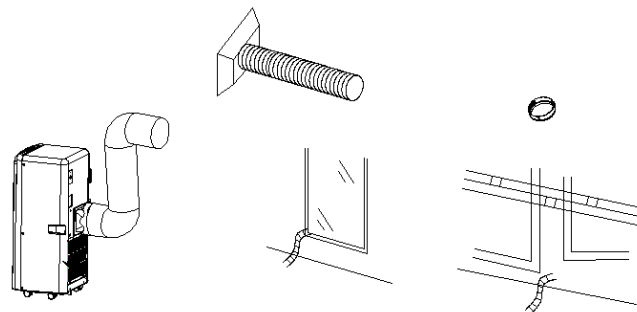
Notranja posoda za vodo v klimatski napravi ima varnostno stikalo, ki nadzoruje nivo vode. Ko nivo vode doseže predvideno višino, signalna lučka za polno posodo za vodo zasveti. (Če je črpalka za vodo poškodovana, ko je posoda za vodo polna, odstranite gumijasto blokado na dnu naprave in voda bo iztekla.)

### NAMESTITEV

- Prenosno klimatsko napravo je treba namestiti na ravno podlago, kje je naokoli dovolj praznega prostora. Ne blokirajte odprtine za izpust zraka, potrebna razdalja okoli naprave mora biti najmanj 30cm.
- Ožičenje z vtičnico mora biti v skladu z lokalnimi varnostnimi zahtevami za elektriko.



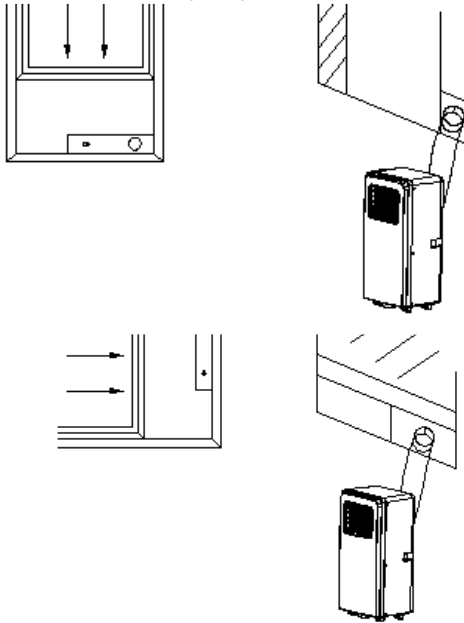
### Namestitev cevi za odpadni zrak



- Zasukajte oba konca cevi za odpadni zrak v kvadratno fiksno sponko in v ploščato fiksno sponko.
- Vstavite kvadratno fiksno sponko v odprtino na zadnji strani klimatske naprave.
- Drug konec cevi za odpadni zrak namestite blizu okenske police.

### Namestitev drsnega okenskega kompleta

Način namestitve drsnega okenskega kompleta je večinoma "horizontalen" in "vertikalen", v samem postopku ni veliko razlike.



## ČIŠČENJE, VZDRŽEVANJE

- Pred čiščenjem se pripravite, da ste napravo odklopili iz električne vtičnice.
- Najprej očistite površino z nevtralnimi čistilom in mokro krpo, nato jo obrišite s suho krpo.
- Za čiščenje naprave ne uporabljajte bencina ali drugih kemikalij.
- Enote ne perite direktno.
- Če je klimatska naprava poškodovana, se obrnite na prodajalca ali servisno delavnico.

### Zračni filter

- Če je zračni filter zamašen s prahom/umazanijo, je treba filter vsaka dva tedna očistiti.
- Odprite rešetko vstopne odprtine za zrak in odstranite zračni filter.
- Zračni filter očistite z nevtralnimi čistilom in mlačno vodo (40°C) in ga posušite v senci.
- Vstavite zračni filter v rešetko vstopne odprtine za zrak in namestite komponente nazaj na svoje mesto.

## ODPRAVLJANJE TEŽAV

Težave	Možni vzroki	Predlogi rešitev
Naprava se ne zažene s pritiskom gumba power	<ul style="list-style-type: none"> <li>• Signalna lučka za polno posodo za vodo utripa in posoda za vodo je polna.</li> <li>• Sobna temperatura je višja kot nastavljena temperatura. (električni način gretega)</li> <li>• Sobna temperatura je nižja kot nastavljena temperatura. (Način hlajenja)</li> </ul>	<ul style="list-style-type: none"> <li>• Izpustite vodo iz posode za vodo.</li> <li>• Ponastavite temperaturo</li> <li>• Ponastavite temperaturo</li> </ul>
Naprava ne hladi dovolj	<ul style="list-style-type: none"> <li>• Vrata ali okna niso zaprta.</li> <li>• V prostoru so toplotni viri.</li> <li>• Cev za odpadni zrak ni priključena ali je zablokirana.</li> <li>• Temperatura je nastavljena previsoko.</li> <li>• Vstopna odprtina za zrak je blokirana.</li> </ul>	<ul style="list-style-type: none"> <li>• Prepričajte se, da so vsa okna in vrata zaprta.</li> <li>• Če je možno, odstranite toplotne vire</li> <li>• Priključite ali očistite cev za odpadni zrak.</li> <li>• Ponastavite temperaturo</li> <li>• Očistite vstopno odprtino za zrak.</li> </ul>

Težave	Možni vzroki	Predlogi rešitev
Auto Power-Off v načinu gretja	<ul style="list-style-type: none"> <li>Zaščita pred segreanjem, ko temperatura na izstopni odprtini zraka preseže 70°C, se naprava samodejno izklopi.</li> </ul>	<ul style="list-style-type: none"> <li>Ponovno zaženite napravo pri dovolj nizki sobni temperaturi.</li> </ul>
Hrup	<ul style="list-style-type: none"> <li>Podlaga ni izravnana ali dovolj ravna</li> <li>Zvok prihaja iz toka hladilnika znotraj klimatske naprave</li> </ul>	<ul style="list-style-type: none"> <li>Če je mogoče, napravo postavite na ravno, izravnano podlago.</li> <li>To je običajno.</li> </ul>
Koda E0	<ul style="list-style-type: none"> <li>Senzor prostorske temperature je odpovedal</li> </ul>	<ul style="list-style-type: none"> <li>Zamenjajte senzor prostorske temperature (naprava lahko dela tudi brez zamenjave.)</li> </ul>
Koda E2	<ul style="list-style-type: none"> <li>Posoda za vodo je polna</li> </ul>	<ul style="list-style-type: none"> <li>Izpraznite posodo za vodo.</li> </ul>

Izdelek ali oprema vsebuje fluoriran toplogredni plin.

Št. art. AC-5474  
 Hladilno sredstvo: R290  
 Količina v kg: 0,10  
 Potencial globalnega segrevanja: 3

Št. art. AC-5477  
 Hladilno sredstvo: R290  
 Količina v kg: 0,14  
 Potencial globalnega segrevanja: 3

Št. art. AC-5527PR  
 Hladilno sredstvo: R290  
 Količina v kg: 0,14  
 Potencial globalnega segrevanja: 3

Št. art. AC-5529  
 Hladilno sredstvo: R290  
 Količina v kg: 0,16  
 Potencial globalnega segrevanja: 3

Št. art. AC-5531  
 Hladilno sredstvo: R290  
 Količina v kg: 0,16  
 Potencial globalnega segrevanja: 3

## GARANCIJA

- Izdelek ima zagotovljeno 24 mesečno garancijo. Vaša garancija je veljavna, če izdelek uporabljate v skladu z navodili in za namen, za katerega je bil ustvarjen. Poleg tega je treba predložiti originalno dokazilo o nakupu (račun, prodajni list ali potrdilo o prejemu) z datumom nakupa, imenom prodajalca in številko izdelka.
- Za podrobne garancijske pogoje glejte naše spletno mesto servisa: [www.tristar.eu](http://www.tristar.eu)

## OKOLJE



Naprave ob koncu njene življenjske dobe ni dovoljeno odstranjevati skupaj z gospodinjskimi odpadki, temveč jo je treba oddati na zbirni točki za reciklažo električnih in elektronskih gospodinjskih naprav. Ta simbol na napravi, navodila za uporabo in pakiranje vas opozarjajo na to pomembno zadevo. Materiale, ki so uporabljeni pri tej napravi, je mogoče reciklirati. Z recikliranjem gospodinjskih naprav pomembno prispevate k varovanju našega okolja. Vprašajte lokalne oblasti za informacije v zvezi z zbirnim središčem.

## PODPORA

Vse razpoložljive informacije in nadomestne dele lahko najdete na <http://www.tristar.eu>

## BIZTONSÁGI ÚTMUTATÓ

- Kérjük, figyelmesen olvassa el a felhasználói kézikönyvet, hogy rendeltetésszerűen használhassa, karbantarthassa és üzembe helyezhesse a terméket.
- A készülék csak beltéri használatra való.
- Ne használja a terméket javítás alatt álló vagy nem megfelelően felszerelt aljzattal
- Ne használja a készüléket, tartsa be az óvintézkedéseket:
  - o Tűzforrás közelében.\
  - o Olyan területen, ahol olaj fröccsenhet rá.
  - o Közvetlen napfénynek kitett területen.
  - o Olyan területen, ahol víz fröccsenhet rá.
  - o Fürdőben, zuhanyzó, mosókonyha vagy úszómedence közvetlen környezetében.
- Soha ne dugja az ujját, rudakat a légkimeneti nyílásba. Különösen ügyeljen rá, hogy ezen veszélyekről figyelmeztesse a gyerekeket.
- Szállítás és tárolás során állva tartsa a készüléket, hogy a kompresszor megfelelően legyen elhelyezve.
- A légkondicionálót a tisztítása előtt mindig kapcsolja ki, vagy húzza ki a tápkábelt.
- A légkondicionálót mozgatáskor mindig kapcsolja ki és húzza ki a tápkábelt, majd lassan mozgassa a készüléket.
- A tűzvéssz lehetőségének elkerüléséhez a légkondicionálót nem szabad letakarni.
- A légkondicionáló minden csatlakozó aljzatának meg kell felelnie a helyi elektromos biztonsági követelményeknek. Ha szükséges, ellenőrizze a követelményeknek megfelelően.
- A gyerekekre oda kell figyelni, nehogy játsszanak a készülékkel.
- A sérült hálózati kábel cseréjét kizárólag a gyártó, a hivatalos szerviz vagy hasonló, megfelelő szakértelemmel rendelkező szakember végezheti.
- Ezt a készüléket 8 éves és idősebb gyerekek, és csökkent fizikai, érzékszervi vagy értelmi képességű személyek vagy akiknek nincs meg a tapasztalatuk és tudásuk ehhez, csak akkor használhatják, ha közben felügyelik őket vagy a készülék biztonságos használatára megtanították őket, és megértették a kapcsolódó veszélyeket. Gyerekek nem játszhatnak a készülékkel. A tisztítást és a felhasználó által végzendő karbantartást gyerekek felügyelet nélkül nem végezhetik.
- A készüléket az érvényes bekötési előírásoknak megfelelően kell üzembe helyezni.
- Megjegyzések:
  - o Ha valamely alkatrész károsodott, lépjen kapcsolatba a kereskedővel vagy egy kijelölt szervizzel;
  - o Bármilyen károsodás esetén kapcsolja ki a légkondicionálót, húzza ki a tápkábelt, és lépjen kapcsolatba
  - o A kereskedővel vagy egy kijelölt szervizzel;
  - o A tápkábelt minden esetben megfelelően földelni kell.
  - o A tápkábel megsérülése esetén kialakuló veszély elkerülése érdekében kapcsolja ki a kapcsolót, és húzza ki a készüléket a hálózathoz. A tápkábelt a kereskedővel vagy egy kijelölt szervizzel kell kicseréltetni.

## VIGYÁZAT

- Ne használjon a gyártó által javasolttól eltérő eszközöket a leolvasztási folyamat felgyorsításához vagy tisztításhoz.
- A készüléket olyan helyiségben kell tárolni, ahol nem található folyamatosan működő gyújtóforrás (például: nyílt láng, működő gázkészülék vagy elektromos melegítő).
- Ne lyukassza ki, illetve ne égesse el.
- Ne feledje, hogy a hűtőközeg akár szagtalan is lehet.
- A készüléket X m<sup>2</sup> alapterületnél nagyobb helyiségben kell felszerelni, üzemeltetni és tárolni. (X=4 az 5000 Btu/ó, 7000 Btu/ó, 8000 Btu/ó esetében; X=7,7 a 9000 Btu/ó, 10000 Btu/ó, 10500 Btu/ó esetében)
- A készülék javításához vagy karbantartásához forduljon egy hivatalos szervizszakemberhez.
- Ne húzza, deformálja vagy módosítsa a tápkábelt, illetve ne merítse vízbe azt. A tápkábel húzása vagy helytelen használata a készülék károsodásához vezethet, és áramütést okozhat.
- Tartsa be az állami gázszabályozásoknak való megfelelést.
- A szellőzőnyílásokat tartsa akadálymentesen.
- Minden olyan személynek, aki a hűtőközeg körül dolgozik vagy megszakítja azt, érvényes ipari tanúsítvánnyal kell rendelkeznie az iparág által akkreditált értékelő hatóságtól, amely igazolja,

hogy rendelkezik a hűtőközegek biztonságos, az iparág által elismert értékelési specifikációnak megfelelő kezeléséhez szükséges ismeretekkel.

- A szervizelés csak a berendezés gyártójának javaslatai szerint végezhető. A szakképzett személyzet segítségét igénylő karbantartást és javítást az éghető hűtőközegek kezelésében jártas személy felügyelete alatt kell elvégezni.
- Ne működtesse és ne állítsa le a készüléket a tápkábel bedugásával vagy kihúzásával, mert a hőtermelés miatt áramütést vagy tüzet okozhat.
- Húzza ki a készüléket, ha furcsa hangok, szagok vagy füst áramlik belőle.





## VIGYÁZAT

Az R 290 hűtőközeggel ellátott készülékekre vonatkozó különleges információk.

- Alaposan olvassa át az összes figyelmeztetést.
- A készülék kiolvasztásakor és tisztításakor ne használjon semmilyen a gyártó cég által nem javasolt eszközt.
- A készüléket folyamatos gyújtóforrások (pl.: nyílt láng, működő gáz vagy elektromos berendezések) nélküli területre kell elhelyezni.
- Ne szűrje ki, illetve ne égesse el.
- A készüléket X m<sup>2</sup> alapterületnél nagyobb helyiségben kell felszerelni, üzemeltetni és tárolni. (X=4 az 5000 Btu/ó, 7000 Btu/ó, 8000 Btu/ó esetében; X=7,7 a 9000 Btu/ó, 10000 Btu/ó, 10500 Btu/ó esetében)
- A készülék Y g (tekintse meg az adattáblát a készülék hátoldalán) R290 hűtőközeg gázt tartalmaz.
- A R290 egy a környezetre vonatkozó európai irányelveknek megfelelő hűtőközeg gáz. Ne szűrje ki a hűtőközeg kör semelyik részét.
- Ha a készüléket nem szellőztetett területen telepítik, működtetik vagy tárolják, a helyiséget úgy kell megtervezni, hogy megakadályozza a hűtőközeg szivárgásának felgyülemelését, ami az elektromos fűtőberendezések, tűzhelyek vagy egyéb gyújtóforrások általi hűtőközeg gyulladás miatt tűz- vagy robbanásveszélyt eredményez.

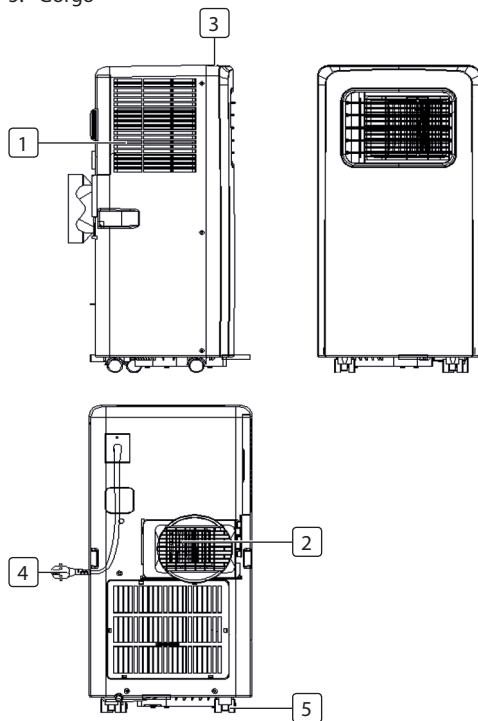
- A készüléket úgy kell tárolni, hogy elkerülje a mechanikai meghibásodást.
- A hűtőközeg-köröket működtető vagy azon dolgozó egyéneknek érvényes ipari tanúsítvánnyal kell rendelkeznie az iparág által akkreditált értékelő hatóságtól, amely igazolja, hogy rendelkezik a hűtőközgek biztonságos, az iparág által elismert értékelési specifikációnak megfelelő kezeléséhez szükséges ismeretekkel.
- A javításokat a gyártó cég javaslatai alapján kell végrehajtani. A szakképzett személyzet segítségét igénylő karbantartást és javítást az éghető hűtőközgek kezelésében jártas személy felügyelete alatt kell elvégezni.

## HŰTŐKÖZEG






(CE) N 842/2006: Ez a légkondicionáló R290 hűtőközeget tartalmaz. A hűtőközeg mennyisége kevesebb, mint 1 kg, és zárt hűtőkörben van. A hűtőközgeknek nincs ózonlebontó potenciálja, de a Kiotói Egyezmény szerint úgynevezett üvegházhatást okozó gáz, és így a légkörbe kerülése esetén hozzájárulhat a globális felmelegedéshez. Ezért csak képzett, hűtőközeg-kezelési tanúsítvánnyal rendelkező szakemberek végezhetik a feltöltést vagy leürítést. A légkondicionáló megfelelő használat esetén zárt marad, és sérülésmentes hűtőkör hűtőközeggel újratölthető. GWP: R290: 3

## RÉSZEGYSÉGEK LEÍRÁSA

1. Levegőbemenet
2. Levegőkimenet
3. Vezérlőpult
4. Tápkábel
5. Görgő

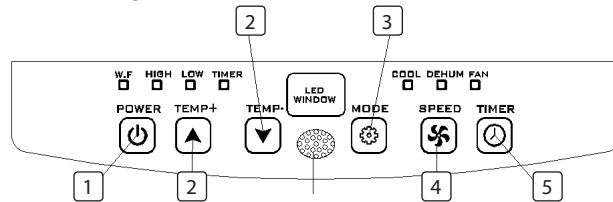


## TARTOZÉKOK

Alkatrész	Leírás
	Meleg levegő kivezetőcső
	Csőcsatlakozó (ablakvég)
	Csőcsatlakozó (légkondicionáló vég)
	Ablakkészlet
	Távírányító

## VEZÉRLŐPULT FUNKCIÓK

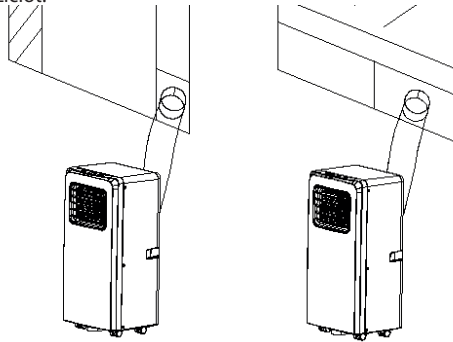
1. Power gomb
2. Temperature gombok
3. Mode gomb
4. Fan speed beállító gomb
5. Timer be/ki gomb



## AZ ELSŐ HASZNÁLAT ELŐTT

### A használat megkezdése előtt, ebben a részben:

- Keressen egy helyet, amelynek közelében hálózati aljzat található.
- Szerelje fel a kimeneti csövet, és állítsa be megfelelően az ablak pozíciót.



- Dugja be a tápkábelt egy földelt AC220~240 V/50 Hz aljzatba;
- Nyomja meg a POWER gombot a légkondicionáló bekapcsolásához.
- Működési hőmérséklettartomány: 18°C - 35°C
- Ellenőrizze, hogy a kimeneti cső megfelelően lett-e felszerelve.
- A hűtés és párátlanítás funkciók használatakor tartson legalább 3 percnyi szünetet a POWER gomb megnyomása előtt.

## HASZNÁLAT

### Hűtés

- Nyomja meg a "Mode" gombot, amíg a "Cool" ikon meg nem jelenik a kijelzőn.
- Nyomja meg a ▲ vagy ▼ gombot a kívánt hőmérséklet kiválasztásához. (16°C-31°C)
- Nyomja meg a "Fan Speed" gombot a ventilátor fordulatszámának kiválasztásához.

### Párátlanítás használata

- Nyomja meg a "Mode" gombot, amíg a "Dehumidify Indicator Lamp" visszajelző el nem kezd villogni.
- Automatikusan beállítja a kiválasztott hőmérsékletet az aktuális szobahőmérséklettől 2°C-kal alacsonyabb hőmérsékletre. (16°C-31°C)
- Automatikusan beállítja a ventilátormotort LOW fordulatra.

### Ventilátor

- Nyomja meg a "Mode" gombot, amíg a "Fan" ikon meg nem jelenik a kijelzőn.
- Nyomja meg a "Fan Speed" gombot a ventilátor fordulatszámának kiválasztásához.

### Időzítő használata

#### Időzítő BE beállítás

- Amikor a légkondicionáló KI van kapcsolva, nyomja meg a "Timer" gombot, és a hőmérséklet- és az időbeállító gombokkal válassza ki a kívánt BEKAPCSOLÁSI időt.
- A "Preset ON Time" jelenik meg a vezérlőpulton.

- A BEKAPCSOLÁSI idő 0-24 órás időtartamban szabályozható.

#### **Időzítő KI beállítás**

- Amikor a légkondicionáló BE van kapcsolva, nyomja meg a "Timer" gombot, és a hőmérséklet- és az időbeállító gombokkal válassza ki a kívánt KIKAPCSOLÁSI időt.
- A "Preset OFF Time" jelenik meg a vezérlőpulton.
- A KIKAPCSOLÁSI idő 0-24 órás időtartamban szabályozható.

#### **Folyamatos leeresztés**

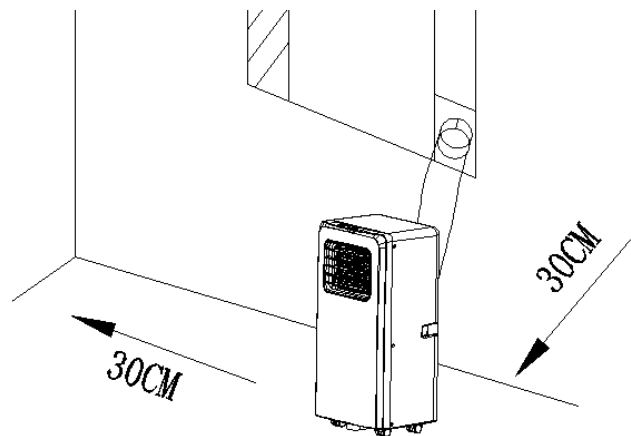
- Amikor hosszabb időre felügyelet nélkül akarja hagyni a készüléket, távolítsa el a gumi dugaszt a készülék alján található leeresztőfuratból, és csatlakoztasson egy leeresztőtömlőt az alsó rögzítőkapocshoz. A víztartályban lévő összes víz kifolyik.
- A folyamatos leeresztés a vízszivattyú meghibásodásakor is használható, mert ebben az állapotban a vízszivattyú nincs aktíválva. Az egység továbbra is jól működhet.
- Ha a vízszivattyú meghibásodott, a szakaszos leeresztés is használható. Ebben az állapotban, amikor a víztartály megtelt visszajelző kigyullad, csatlakoztasson egy leeresztőtömlőt az alsó rögzítőkapocshoz.

#### **Belső víztartály tele riasztás funkció**

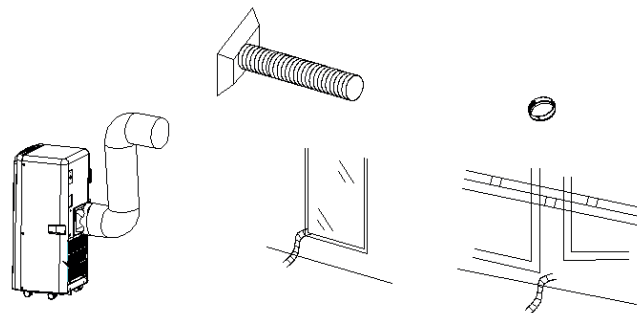
A légkondicionálóban található belső víztartály egy a vízszintet szabályozó biztonsági kapcsolóval van felszerelve. Amikor a vízszintje eléri a megadott magasságot, kigyullad a víz tele visszajelző lámpa. (Ha a vízszivattyú meghibásodott, a víztartály megteltékor távolítsa el a készülék alján található gumidugót, és az összes víz kifolyik.)

#### **ÜZEMBE HELYEZÉS**

- A mobil légkondicionálót sík helyre kell beüzemelni, körülötte elegendő üres tere biztosítva. Ne akadályozza a levegőkimenetet, és a készülék körüli szükséges távolságnak legalább 30 cm-nek kell lennie.
- Az aljzat az elektromos hálózatba való bekötését a helyi elektromos biztonsági követelményeknek megfelelően kell végezni.



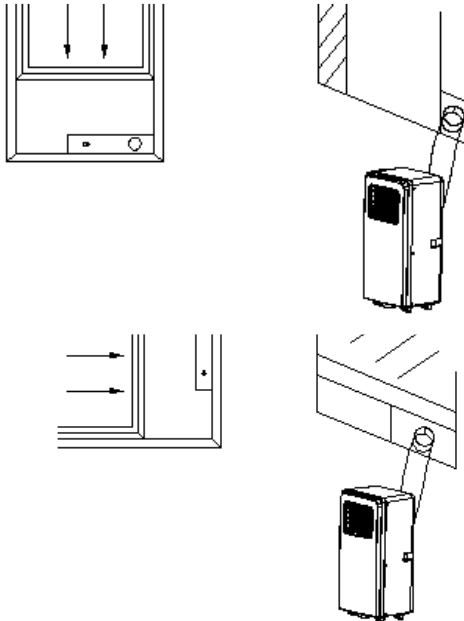
#### **A kivezetőcső felszerelése**



- A kivezetőcső két végét csavarja be a négyzetes rögzítőkapocsba és a lapos rögzítőkapocsba.
- Illessze be a négyzetes rögzítőkapcsot a légkondicionáló hátoldalán található nyílásba.
- A kimeneti cső másik végét helyezze a legközelebbi ablakpárkányra.

### Ablak csúszókészlet felszerelése

Az ablak csúszókészlet beszerelési módja többnyire "vízszintes" és "függőleges" helyzetben történhet, nem sok különbség van a két beszerelés között.



## TISZTÍTÁS ÉS KARBANTARTÁS

- Tisztítás előtt ügyeljen rá, hogy kihúzza a készüléket az elektromos hálózatról.
- Először semleges tisztítószerrel és nedves ruhával tisztítsa meg a készülék felületét, majd egy száraz ruhával törölje át.
- Ne használjon benzint vagy más vegyszert a készülék tisztításához.
- Ne mossa le közvetlenül a készüléket.
- Ha a légkondicionáló meghibásodott, lépjen kapcsolatba a kereskedővel vagy a szervizzel.

### Levegősűrő

- Ha a levegősűrő portól/szennyeződéstől eltömődik, a levegősűrőt kéthetente ki kell tisztítani.
- Nyissa ki a légbemeneti rácsot, és vegye ki a levegősűrőt.
- Semleges tisztítószerrel meleg (40°C) vízzel tisztítsa meg, és árnyékban szárítsa meg.
- Helyezze be a levegősűrőt a bemeneti rácsba, és szerelje vissza az alkatrészeket.

## HIBAELHÁRÍTÁS

Hibák	Lehetséges ok	Javasolt megoldások
A készülék nem kapcsol be a bekapcsológomb megnyomásakor	<ul style="list-style-type: none"> <li>• A víz tele visszajelző villog, és a víztartály megtelt.</li> <li>• A szobahőmérséklet magasabb, mint a beállított hőmérséklet. (Elektromos fűtés üzemmód)</li> <li>• A szobahőmérséklet alacsonyabb, mint a beállított hőmérséklet. (Hűtés üzemmód)</li> </ul>	<ul style="list-style-type: none"> <li>• Üritse ki a vizet a víztartályból.</li> <li>• Állítsa vissza a hőmérsékletet</li> <li>• Állítsa vissza a hőmérsékletet</li> </ul>
A készülék nem hűt eléggé	<ul style="list-style-type: none"> <li>• Az ajtók vagy ablakok nincsenek zárva.</li> <li>• Hőforrások vannak a szobában.</li> <li>• A kivezetőcső nincs csatlakoztatva vagy eltömődött.</li> <li>• A hőmérséklet-beállítás túl magas.</li> <li>• A légbemenet akadályozott.</li> </ul>	<ul style="list-style-type: none"> <li>• Ellenőrizze, hogy az összes ajtó és ablak zárva van.</li> <li>• Ha lehetséges, távolítsa el a hőforrásokat</li> <li>• Csatlakoztassa vagy tisztítsa ki a kivezetőcsövet.</li> <li>• Állítsa vissza a hőmérsékletet</li> <li>• Tisztítsa meg a légbemenetet.</li> </ul>

Hibák	Lehetséges ok	Javasolt megoldások
Automatikus ki-kapcsolás fűtés üzemmódban	<ul style="list-style-type: none"> <li>Hővédelem: amikor a hőmérséklet a levegőkimenetnél meghaladja a 70°C-ot, a készülék automatikusan kikapcsol.</li> </ul>	<ul style="list-style-type: none"> <li>Eléggé alacsony hőmérsékleten indítsa újra a készüléket.</li> </ul>
Zajos működés	<ul style="list-style-type: none"> <li>A padló nem vízszintes vagy nem elég lapos</li> <li>A zajt a légkondicionáló belsejében lévő hűtőközeg keringése okozza</li> </ul>	<ul style="list-style-type: none"> <li>A készüléket lapos, vízszintes padlóra helyezze, ha lehetséges.</li> <li>Ez normális jelenség.</li> </ul>
E0 kód	<ul style="list-style-type: none"> <li>Meghibásodott a szobahőmérséklet-érzékelő</li> </ul>	<ul style="list-style-type: none"> <li>Cserélje ki a szobahőmérséklet-érzékelőt (a készülék az érzékelő cseréje nélkül is működhet.)</li> </ul>
E2 kód	<ul style="list-style-type: none"> <li>A víztartály megtelt</li> </ul>	<ul style="list-style-type: none"> <li>Üritse ki a víztartályt.</li> </ul>

A termék vagy a berendezés fluortartalmú, üvegházhatást okozó gázt tartalmaz.

Cikkszám AC-5474  
Hűtőközeg: R290  
Mennyiség kg-ban: 0,10  
Globális felmelegedési potenciál: 3

Cikkszám AC-5477  
Hűtőközeg: R290  
Mennyiség kg-ban: 0,14  
Globális felmelegedési potenciál: 3

Cikkszám AC-5527PR  
Hűtőközeg: R290  
Mennyiség kg-ban: 0,14  
Globális felmelegedési potenciál: 3

Cikkszám AC-5529  
Hűtőközeg: R290  
Mennyiség kg-ban: 0,16  
Globális felmelegedési potenciál: 3

Cikkszám AC-5531  
Hűtőközeg: R290  
Mennyiség kg-ban: 0,16  
Globális felmelegedési potenciál: 3

## GARANCIA

- A termékre 24 hónap garancia vonatkozik. A garancia csak abban az esetben érvényes, ha a terméket az útmutatóban leírtak szerint és rendeltetésének megfelelő célra használják. Emellett mellékelni kell hozzá a vásárlást igazoló eredeti dokumentumot (számlát vagy nyugtát), amelyen szerepelnie kell a vásárlás dátumának, a kereskedő nevének és a termék megnevezésének is.
- A részletes garanciafeltételeket lásd a szerviz webhelyén: [www.tristar.eu](http://www.tristar.eu)

## KÖRNYEZET



A készülék az élettartama végén nem dobható ki a háztartási hulladékkal, hanem az elektromos és elektronikus háztartási készülékek újrahasznosítását végző gyűjtőpontban kell leadni azt. Ez a szimbólum a készüléken, a használati útmutatóban és a csomagoláson erre a fontos dologra hívja fel a figyelmet. A készülékben használt anyagok újrahasznosíthatók. A használt háztartási készülékek újrahasznosításával Ön is hozzájárul a környezet védeleméhez. A nyilvános gyűjtőhelyekkel kapcsolatban további információt a helyhatóságoktól kérhet.

## TÁMOGATÁS

Minden elérhető információt és cserealkatrészeket megtalálhat a <http://www.tristar.eu> webhelyen





*Quality shouldn't be a luxury!*



[www.tristar.eu](http://www.tristar.eu)

Tristar Europe B.V. | Jules Verneweg 87 | 5015 BH Tilburg | The Netherlands